



Installation - Quick Reference Guide

SMA FLEXIBLE STORAGE SYSTEM with Battery Backup Function

**Battery backup systems including increased self-consumption with
SUNNY ISLAND 3.0M / 4.4M / 6.0H / 8.0H and SUNNY HOME MANAGER**



Legal Provisions

The information contained in this document is the property of SMA Solar Technology AG. Publishing its content, either partially or in full, requires the written permission of SMA Solar Technology AG. Any internal company copying of the document for the purposes of evaluating the product or its correct implementation is allowed and does not require permission.

SMA Warranty

You can download the current warranty conditions from the Internet at www.SMA-Solar.com.

Trademarks

All trademarks are recognized, even if not explicitly identified as such. A lack of identification does not mean that a product or symbol is not trademarked.

The BLUETOOTH® word mark and logos are registered trademarks owned by Bluetooth SIG, Inc. and any use of these marks by SMA Solar Technology AG is under license.

Modbus® is a registered trademark of Schneider Electric and is licensed by the Modbus Organization, Inc.

QR Code is a registered trademark of DENSO WAVE INCORPORATED.

Phillips® and Pozidriv® are registered trademarks of Phillips Screw Company.

Torx® is a registered trademark of Acument Global Technologies, Inc.

SMA Solar Technology AG

Sonnenallee 1
34266 Niestetal
Germany

Tel. +49 561 9522-0
Fax +49 561 9522-100
www.SMA.de
E-mail: info@SMA.de

© 2004 to 2016 SMA Solar Technology AG. All rights reserved.

Table of Contents

1	Information on This Document	5
1.1	Validity	5
1.2	Content and Structure of This Document	5
1.3	Target Group	5
1.4	Additional Information	5
1.5	Information Symbols	6
1.6	Typography	6
1.7	Nomenclature	6
2	Safety	7
2.1	Intended Use	7
2.2	Safety Information	9
3	Information and System Description	12
3.1	Requirements of the "VDE Forum Network Technology / Network Operations (FNN)"	12
3.2	Requirements of VDE Application Guide 2510-2	12
3.3	System Information	13
3.4	Design and Functions of the Battery-Backup System	16
3.5	Design and Functions of the Automatic Transfer Switch	17
3.5.1	Devices of the Automatic Transfer Switch	17
3.5.2	Grid Disconnection	18
3.5.3	Grounding Device for the Battery-Backup Grid	20
3.5.4	Phase Coupling for Single-Phase Battery-Backup Systems	20
4	Battery-Backup Systems With All-Pole Disconnection	21
4.1	Single-Phase Battery-Backup System	21
4.1.1	Schematic Diagram of the Automatic Transfer Switch	21
4.1.2	Circuitry Overview	22
4.1.3	Connecting the Sunny Island Inverter	23
4.2	Three-Phase Battery-Backup System	25
4.2.1	Schematic Diagram of the Automatic Transfer Switch	25
4.2.2	Circuitry Overview	26
4.2.3	Connecting the Master	27
4.2.4	Connecting the Slaves	29
5	Battery-Backup Systems Without All-Pole Disconnection	31
5.1	Single-Phase Battery-Backup System	31
5.1.1	Schematic Diagram of the Automatic Transfer Switch	31
5.1.2	Circuitry Overview	32
5.1.3	Connecting the Sunny Island Inverter	33
5.2	Three-Phase Battery-Backup System	35
5.2.1	Schematic Diagram of the Automatic Transfer Switch	35
5.2.2	Circuitry Overview	36
5.2.3	Connecting the Master	37
5.2.4	Connecting the Slaves	39

6	Connecting the Sunny Home Manager	40
7	Commissioning	41
7.1	Basic Configuration of the Sunny Island Inverter	41
7.2	Testing the Automatic Transfer Switch Function	45
7.3	Adjusting the Configuration of the Sunny Island Inverter	47
7.3.1	Countries in Which the Configuration Must Be Adjusted	47
7.3.2	Adjusting the Configuration for Denmark	47
7.3.3	Adjusting the Configuration for Austria	48
7.3.4	Adjusting the Configuration for Switzerland	48
7.4	Adjusting the Configuration of the PV Inverters	49
7.5	Attaching the Labels	50
7.6	Activating Phase Coupling in Single-Phase Battery-Backup Systems	50
7.7	Commissioning a System With Increased Self-Consumption	50
7.7.1	Preparing BLUETOOTH Communication	50
7.7.2	Commissioning a System with Increased Self-Consumption	51
7.8	Commissioning a System without Increased Self-Consumption	52
8	Appendix	53
8.1	Single-Phase Battery-Backup System in Belgium	53
8.1.1	Schematic Diagram of the Automatic Transfer Switch	53
8.1.2	Circuitry Overview	54
8.2	Three-Phase Battery-Backup System in Belgium	55
8.2.1	Schematic Diagram of the Automatic Transfer Switch	55
8.2.2	Circuitry Overview	56
9	Contact	57

1 Information on This Document

1.1 Validity

This document is valid for the SMA Flexible Storage System with battery-backup function with the following SMA products:

- HM-BT-10.GR2 (Sunny Home Manager) with firmware version 1.04 or higher
- SI3.0M-11 (Sunny Island 3.0M) with firmware version 3.2
- SI4.4M-11 (Sunny Island 4.4M) with firmware version 3.2
- SI6.0H-11 (Sunny Island 6.0H) with firmware version 3.1
- SI8.0H-11 (Sunny Island 8.0H) with firmware version 3.1

1.2 Content and Structure of This Document

This document summarizes the specific information for the SMA Flexible Storage System with battery-backup function (battery-backup system). Circuitry overviews provide you with a basis for setting up a battery-backup system. The structure of the document specifies the chronological sequence for configuration and commissioning. This document does not replace the documentation of the individual products. You will find details and help in the event of difficulties in the documentation of the respective product.

1.3 Target Group

The activities described in this document must only be performed by qualified persons. Qualified persons must have the following skills:







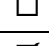
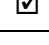
- Training in how to deal with the dangers and risks associated with installing and using electrical devices and batteries
- Training in the installation and commissioning of electrical devices
- Knowledge of and adherence to the local standards and directives
- Knowledge of and compliance with this document and all safety information

1.4 Additional Information

Links to additional information can be found at www.SMA-Solar.com:

Document title	Document type
SMA Flexible Storage System with Battery-Backup Function	Planning guidelines
Multicluster Systems with Stand-Alone Grid or Increased Self-Consumption and Battery-Backup Function	Installation quick reference guide

1.5 Information Symbols

Symbol	Explanation
 DANGER	Indicates a hazardous situation that, if not avoided, will result in death or serious injury
 WARNING	Indicates a hazardous situation that, if not avoided, can result in death or serious injury
 CAUTION	Indicates a hazardous situation that, if not avoided, can result in minor or moderate injury
 NOTICE	Indicates a situation that, if not avoided, can result in property damage
	Information that is important for a specific topic or goal but is not safety-relevant
	Indicates a requirement for meeting a specific goal
	Desired result
	A problem that might occur

1.6 Typography

Typography	Usage	Example
Bold	<ul style="list-style-type: none"> • Display messages • Parameters • Connections • Slots • Elements to be selected • Elements to be entered 	<ul style="list-style-type: none"> • Connect the grounding conductor to AC 2Gen/Grid. • Select parameter 235.01 GnAutoEna and set it to Off.
>	<ul style="list-style-type: none"> • Several elements that are to be selected 	<ul style="list-style-type: none"> • Select 600# Direct Access > Select Number.
[Button/Key]	<ul style="list-style-type: none"> • Button/key on the inverter to be selected or pressed 	<ul style="list-style-type: none"> • Press [ENTER].

1.7 Nomenclature

Complete designation	Designation in this document
SMA Flexible Storage System with Battery-Backup Function	Battery-backup system
Sunny Boy, Sunny Mini Central, Sunny Tripower	PV inverters
Grid failure or deviation from the country-specific limiting values for voltage and frequency	Grid failure
Automatic transfer switch with battery-backup function	Automatic transfer switch
Grid-forming generators such as electric generators or utility grids	External energy sources
Sunny Explorer, Sunny Portal, Sunny Home Manager	Communication product

The term parameter includes parameters with configurable values as well as parameters for displaying values.

2 Safety

2.1 Intended Use

In the event of grid failure, a battery-backup system with Sunny Island supplies loads with energy and a grid-tie PV system with voltage. In the event of grid failure, an automatic transfer switch disconnects the battery-backup grid from the utility grid. After disconnection, the loads and the PV system are not supplied for approximately five to seven seconds. The battery-backup system can then provide active power and reactive power again. The battery-backup system supplies the loads, and the PV system can synchronize with the battery-backup grid and feed in.

The battery-backup system should only be used in countries for which it is licensed or for which it is released by SMA Solar Technology AG and the grid operator. To fulfill the technical connection requirements of the grid operator and the local standards and directives, you must select one of the following basic structures:

- Battery-backup system with all-pole disconnection

In the event of grid failure, a tie switch disconnects all line conductors and the neutral conductor from the utility grid. The tie switch is designed with built-in redundancy. If the technical connection requirements of the grid operator or the local standards and directives call for or allow all-pole disconnection, you must install this basic structure. You must install all-pole disconnection in the following countries:

- Belgium
- Denmark
- Germany
- Austria
- Switzerland

- Battery-backup system without all-pole disconnection

In the event of grid failure, a tie switch disconnects all line conductors from the utility grid. The neutral conductor of the battery-backup grid remains permanently connected to the utility grid. If the technical connection requirements of the grid operator or the local standards and directives prohibit disconnection of the neutral conductor, you must install this basic structure.

Each basic structure can be designed either as a three-phase battery-backup grid or as a single-phase battery-backup grid. Single-phase battery-backup grids can be connected to three-phase utility grids.

In a three-phase battery-backup system, in the event of grid failure, three Sunny Island inverters supply all line conductors with the corresponding line conductor. The three Sunny Island inverters are connected in parallel on the DC side and form one cluster. Only Sunny Island inverters of the same device type may be installed in a cluster. In a three-phase battery-backup system, both single-phase and three-phase PV inverters can be connected. Multiple clusters must not be connected together.

In a single-phase battery-backup system, in the event of grid failure, one Sunny Island supplies the battery-backup grid. A grid failure is only recognized at the line conductor that is connected to the Sunny Island. In the event of grid failure, only single-phase PV inverters can feed into a single-phase battery-backup grid. In the event of grid failure, a phase coupling enables combination of the line conductors into a single-phase distribution grid. With phase coupling, all the loads in the battery-backup grid must be single-phase. No more than one Sunny Island may be connected in a single-phase battery-backup system.

A PV system can be connected in the battery-backup grid. The PV system must be suitable for use in battery-backup systems (see the planning guidelines "SMA Flexible Storage System with Battery Backup Function" at www.SMA-Solar.com). The power of the PV system must be appropriate for the system (see Section 3.3 "System Information", page 13).

The automatic transfer switch is not a distribution board for the loads or the PV system. The loads and the PV system must be secured with protective devices in accordance with the local standards and directives. Grid-forming voltage sources (e.g., generators) must not be connected.

The utility grid connected to the automatic transfer switch must be a TN or TT system. The battery-backup system is not suitable for supplying life-sustaining medical devices.

In battery-backup systems, the Sunny Island uses lead-acid batteries or lithium-ion batteries for energy storage. Ensure that the battery room is sufficiently ventilated when using lead-acid batteries (see battery manufacturer's documentation). If lithium-ion batteries are connected, the battery management of the lithium-ion battery must be compatible with the Sunny Island (see the technical information "List of Approved Lithium-Ion Batteries" at www.SMA-Solar.com). The lithium-ion battery must be able to supply enough current at maximum output power of the Sunny Island inverter (for technical data, see the Sunny Island inverter installation manual).

In single-phase battery-backup systems, the multifunction relays of the Sunny Island inverter cannot be configured. In three-phase battery-backup systems, the slaves can control devices in the system (e.g., load-shedding contactors), each via two multifunction relays. The multifunction relays of the master cannot be configured.

The automatic transfer switch must be wired and connected in accordance with this documentation. The equipment or devices of the automatic transfer switch must satisfy protection class II and be operable without prior knowledge of electrical technology.

In battery-backup systems, the following products must not be connected:

- Sunny Island Charger or other DC charge controllers
- DC loads

The battery-backup system records the grid feed-in and purchased electricity with an SMA Energy Meter only. An SMA Energy Meter does not replace the energy meter of the electric utility company. The grid feed-in and the purchased electricity are transmitted to one Sunny Island via Speedwire. To enable this, the Sunny Island must be fitted with the Speedwire data module Sunny Island.

The Sunny Home Manager must not be installed in PV systems in which a SMA Cluster Controller is installed.

Use this system only in accordance with the information provided in the enclosed documentation and with the locally applicable standards and directives. Any other application may cause personal injury or property damage.

Alterations to the system, e.g. modifications or conversions, are only permitted with the express written permission of SMA Solar Technology AG. Unauthorized alterations will void guarantee and warranty claims and usually void the operating license. SMA Solar Technology AG shall not be held liable for any damage caused by such alterations.

Any use of the system other than that described in the Intended Use section does not qualify as the intended use.

The enclosed documentation is an integral part of this system. Keep the documentation in a convenient place for future reference and observe all instructions contained therein.

2.2 Safety Information

This section contains safety information that must be observed at all times when working on or with the system. To prevent personal injury and property damage and to ensure long-term operation of the system, read this section carefully and observe all safety information at all times.

⚠ WARNING

Danger to life from electric shock due to circuit breakers that cannot be tripped

In the battery-backup grid, only the circuit breakers that can be tripped by the Sunny Island can be tripped in the event of a grid failure. Circuit breakers with a higher tripping characteristic cannot be tripped. Under fault conditions, there may be a voltage that poses a danger to life present on accessible parts for several seconds. This can result in death or serious injury.

- Check if a circuit breaker has a higher trip characteristic than the following circuit breakers which can be tripped:
 - SI3.0M-11 and SI4.4M-11: circuit breaker with trip characteristic B6 (B6A)
 - SI6.0H-11 and SI8.0H-11: circuit breaker with trip characteristic B16 (B16A) or circuit breaker with trip characteristic C6 (C6A)

If a circuit breaker has a higher trip characteristic than the specified circuit breaker that can be tripped, you should also install a residual-current device of type A.

Danger to life from electric shock due to live voltage

High voltages are present in the battery-backup system. When covers are removed (e.g., an enclosure lid), live components can be touched. Touching can result in death or serious injury due to electric shock.

- When carrying out any work on the electrical installation, wear suitable personal protective equipment.
- Switch off or disconnect the following components in the following order:
 - Sunny Island
 - At the grid-connection point, the circuit breaker of the battery-backup system
 - In the automatic transfer switch, all circuit breakers
 - Load-break switch of the battery
- Ensure that the battery-backup system cannot be reconnected.
- Open the enclosure lid on the Sunny Island inverter and ensure that it is dead.
- Ground and short-circuit the AC conductors outside the automatic transfer switch.
- Cover or isolate any adjacent live components.

Danger to life from electric shock due to damaged components

Operating a damaged device can lead to hazardous situations that can result in death or serious injuries due to electric shock.

- Only use the battery-backup system when it is technically faultless and in an operationally safe state.
- Ensure that all safety equipment is freely accessible at all times.
- Make sure that all safety equipment is in good working order.

⚠ WARNING**Danger to life due to incompatible lithium-ion battery**

An incompatible lithium-ion battery can lead to a fire or an explosion. With incompatible lithium-ion batteries, it is not ensured that the battery management is intrinsically safe and will protect the battery.

- Verify that the battery complies with locally applicable standards and directives and is intrinsically safe.
- Ensure that the lithium-ion batteries are approved for use with the Sunny Island.

The list of lithium-ion batteries approved for the Sunny Island is updated regularly (see the technical information "List of Approved Lithium-Ion Batteries" at www.SMA-Solar.com).

- If no lithium-ion batteries approved for the Sunny Island can be used, lead-acid batteries can be used.

Danger to life due to explosive gases

Explosive gases may escape from the battery and cause an explosion. This can result in death or serious injury.

- Protect the battery environment from open flames, embers or sparks.
- Install, operate and maintain the battery in accordance with the manufacturer's specifications.
- Do not heat the battery above the temperature permitted or burn the battery.
- Ensure that the battery room is sufficiently ventilated.

Chemical burns and poisoning due to battery electrolyte

If handled inappropriately, battery electrolyte can cause irritation to the eyes, respiratory system and skin, and it can be toxic. This may result in blindness and serious chemical burns.

- Protect the battery enclosure against destruction.
- Do not open or deform the battery.
- Whenever working on the battery, wear suitable personal protective equipment such as rubber gloves, an apron, rubber boots and goggles.
- Rinse acid splashes thoroughly for a long time with clear water, and consult a doctor.
- Install, operate, maintain and dispose of the battery according to the manufacturer's specifications.

Risk of injury due to short-circuit currents

Short-circuit currents in the battery can cause heat build-up and electric arcs. Burns or eye injuries due to flashes may result.

- Remove watches, rings and other metal objects.
- Use insulated tools.
- Do not place tools or metal parts on the battery.

⚠ CAUTION**Risk of burns due to short-circuit currents on the disconnected Sunny Island**

The capacitors at the DC connection input area store energy. After the battery is isolated from the Sunny Island, battery voltage is still temporarily present at the DC connection. A short circuit at the DC connection can lead to burns and may damage the Sunny Island inverter.

- Wait 15 minutes before performing any work at the DC connection or on the DC cables. This allows the capacitors to discharge.

NOTICE**Damage to three-phase loads during phase coupling**

If three-phase loads are connected to a single-phase utility grid with phase coupling, SMA Solar Technology AG cannot rule out damage to the three-phase loads.

- Ensure that, during phase coupling, only single-phase loads are connected to the battery-backup grid.

Damage to the tie switch due to incorrect design

If the ampacity of the tie switch is not sufficient, the tie switch becomes overloaded and is damaged.

- Adjust the ampacity of the tie switch in accordance with the requirements on site. The tie switch must be designed for at least the operating range of the upstream fuse or the maximum short-circuit current of the PV system.

Damage to the battery due to incorrect settings

The set battery parameters influence the charging behavior of the Sunny Island inverter. The battery can be damaged by incorrect settings for the battery type, nominal voltage and capacity parameters.

- Ensure that the values recommended by the manufacturer are set for the battery (refer to the technical data of the battery in the manufacturer documentation). Note that the battery charging behavior names used by SMA Solar Technology AG and the battery manufacturer may, in some cases, differ in meaning (for the battery charging behavior of the Sunny Island inverter, see technical information "Battery Management").
- Set the battery capacity for a ten-hour electric discharge (C10) The battery manufacturer specifies the battery capacity in relation to discharge time.

Destruction of devices due to electrostatic discharge (ESD)

If enclosure parts are removed, the devices (e.g., Sunny Island or PV inverter) can be damaged or destroyed if electronic components or terminals are touched.

- Do not touch any electronic components in open devices.
- Ground yourself before touching any connections.

3 Information and System Description

3.1 Requirements of the “VDE Forum Network Technology / Network Operations (FNN)”

The information only applies for systems for which the following properties are all applicable:

- The system stores energy for increased self-consumption.
- Only one Sunny Island is connected in the system.
- The grid operator requires compliance with the technical information “Connection and Operation of Storage Units” of the FNN. Currently, only the grid operators in Germany require compliance with the above-mentioned technical information.

In these systems, the Sunny Island must be connected to a line conductor supplied by a single-phase PV inverter. If there are only three-phase PV inverters connected, the Sunny Island can be connected to any line conductor.

The requirements of the technical information “Connection and Operation of Storage Units in Low-Voltage Networks” published by the FNN influence the discharge behavior of the Sunny Island inverter. In systems with one Sunny Island and single-phase PV inverters, the SMA Flexible Storage System reduces the maximum discharge power of the Sunny Island inverter if necessary (for examples of correct connection of the PV inverters, see quick reference guide “SMA Flexible Storage System”).

3.2 Requirements of VDE Application Guide 2510-2

The requirements below only apply for systems for which the following properties are all applicable:

- The system is a self-consumption system and/or battery-backup system.
- The system is installed in Germany.

Currently, only the grid operators in Germany require compliance with the above-mentioned Application Guide.

In accordance with the scope of VDE application guide 2510-2, a manufacturer’s system is regarded as a complete energy storage system only if products are used that have been approved by the manufacturer (for details on the battery-backup systems of SMA Solar Technology AG, see the planning guidelines “SMA Flexible Storage System with Battery Backup Function” and the technical information “List of Approved Lithium-Ion Batteries” at www.SMA-Solar.com). If products are used that have not been approved by SMA Solar Technology AG, the installer is deemed the manufacturer of the system.

The requirements of VDE application guide 2510-2 are fulfilled if the installation is carried out in accordance with the technical documentation of the Sunny Island inverter.

3.3 System Information

i Battery-backup systems without increased self-consumption

If you are not increasing the self-consumption of PV energy, the following devices are not required:

- SMA Energy Meter
- Sunny Home Manager
- Sunny Island Speedwire data module

i Information on batteries

Lithium-ion batteries in battery-backup systems

In order to meet the requirements of battery-backup systems in the event of grid failure, the Sunny Island has a high overload capacity. This overload capacity is subject to the battery being able to supply sufficient current. With lithium-ion batteries, this capacity cannot be taken for granted.

- Clarify with the battery manufacturer whether the battery is suitable for battery-backup systems with Sunny Island. In particular, note the capacity if, in the event of grid failure, the battery-backup grid is supplied by the Sunny Island.

Recommendations for battery capacity

SMA Solar Technology AG recommends the following minimum battery capacities. The battery capacities apply for a ten-hour electric discharge (C10).

- Single-phase battery-backup system with SI3.0M-11: 100 Ah
- Single-phase battery-backup system with SI4.4M-11: 100 Ah
- Single-phase battery-backup system with SI6.0H-11: 120 Ah
- Single-phase battery-backup system with SI8.0H-11: 160 Ah
- Three-phase battery-backup system with three SI3.0M-11 devices: 300 Ah
- Three-phase battery-backup system with three SI4.4M-11 devices: 300 Ah
- Three-phase battery-backup system with three SI6.0H-11 devices: 360 Ah
- Three-phase battery-backup system with three SI8.0H-11 devices: 480 Ah

The minimum battery capacity must be observed to ensure stable operation of the system.

i Information on the automatic transfer switch

Wiring and connection of automatic transfer switches

- Do not bridge the neutral conductors of connections **X1** to **X5**. If the neutral conductor connections are bridged, residual-current devices could trip.
- Label the equipment and devices of the automatic transfer switch in accordance with the schematic diagrams. This makes installation and commissioning easier and simplifies the support process in the event of service.
- Only install an SMA Energy Meter if the systems have increased self-consumption.
Install the SMA Energy Meter in such a way that it can measure the total purchased electricity and grid feed-in.

i Information on the automatic transfer switch

Connection of automatic transfer switches for single-phase battery-backup systems

- With single-phase battery-backup systems, connect circuit breaker **F1** and terminal **AC2 Gen/Grid L** of the Sunny Island inverter to the same line conductor, e.g., to L1 (for a single-phase battery-backup system with an all-pole disconnection function see Section 4.1, page 21 / for a single-phase battery-backup system without an all-pole disconnection function see Section 5.1, page 31). Observe the following:
 - Only the line conductor that is connected to circuit breaker **F1** of the Sunny Island inverter is monitored for grid failure.
 - After a grid failure, the Sunny Island synchronizes with the line conductor which is connected to circuit breaker **F1** and monitored for grid failure. When terminal **AC2 Gen/Grid L** of the Sunny Island inverter is connected to another line conductor, the battery-backup system is not able to synchronize with the utility grid. As a result, the battery-backup system fails.
- Connect the PV inverter and the Sunny Island to the same line conductor if possible. This way, in the event of grid failure, the PV inverters are supplied with voltage directly and then can feed in even if phase coupling is deactivated.

i Information on the Sunny Island

Connection of the neutral conductor

At connection **AC2**, there are two terminals **N** and **N_{TT}** for the connection of the neutral conductor.

- In battery-backup systems, at connection **AC2**, always connect the neutral conductor to terminal **N_{TT}**.

This ensures that the Sunny Island disconnects at all poles.

Device types within a cluster

All Sunny Island inverters must be of the same device type.

i Information on the PV system

Maximum PV system power

In battery-backup systems, the maximum power of the PV system depends on the total power of the Sunny Island.

- Maximum output power of the PV system per SI3.0M-11: 4,600 W
- Maximum output power of the PV system per SI4.4M-11: 4,600 W
- Maximum output power of the PV system per SI6.0H-11: 9,200 W
- Maximum output power of the PV system per SI8.0H-11: 12,000 W

Observance of the maximum output power of the PV system is a requirement for stable operation of the battery-backup system during a grid failure.

Frequency-dependent control of active power feed-in

In battery-backup systems, the active power of the PV inverters must be controllable depending on the frequency.

- With existing systems, ensure that the PV inverters are controllable depending on the frequency (see planning guidelines "SMA Flexible Storage System with Battery Backup Function").

i Information on the communication devices

Requirements for the router and network switches for Speedwire devices

An SMA Flexible Storage System has the following requirements for the communication devices:

- All Speedwire devices must be connected to the same router.
- The router and optionally one or more network switches must fully support Multicast.
- The router must support "Internet Enabled Devices" with the SIP and STUN interfaces.

Most common routers and network switches support Multicast and "Internet Enabled Devices."

Electricity supply of communication devices

During a grid failure, only the devices in the battery-backup grid are supplied with current.

- Connect the electricity supply of the Sunny Home Manager, router and the optional network switches to the battery-backup grid.

The Sunny Home Manager does not support wind power inverters or CHP plants

The Sunny Home Manager only supports PV inverters. If your system combines various AC power sources (e.g., PV system and small wind turbine system), the Sunny Home Manager can only detect the PV inverters and limit their power. In the Sunny Home Manager system, no wind power inverters or CHP plants are displayed in Sunny Portal. Since the data from wind power inverters or CHP plants is not taken into account by the Sunny Home Manager, the data calculated in Sunny Portal and the displayed diagrams may be inaccurate. However, you have the option of displaying the wind power inverters via the Sunny Explorer software and configuring them if necessary (see Sunny Explorer documentation).

i Information on operating conditions

Use in Belgium: connection to the utility grid (AC)

The utility grid connected to the automatic transfer switch must generally be a TN or TT system. In Belgium, the utility grid can be designed to function as an IT system that is, however, grounded to the neutral point of the source. This results in a hybrid form of an IT and TT system. Compared with a TT system, this hybrid form is not equipped with a neutral conductor. With this installation, the following restriction applies when using the battery-backup system:

- If the utility grid functions as an IT system that is grounded to the neutral point of the source, the connected battery-backup system must be single-phase.

3.4 Design and Functions of the Battery-Backup System

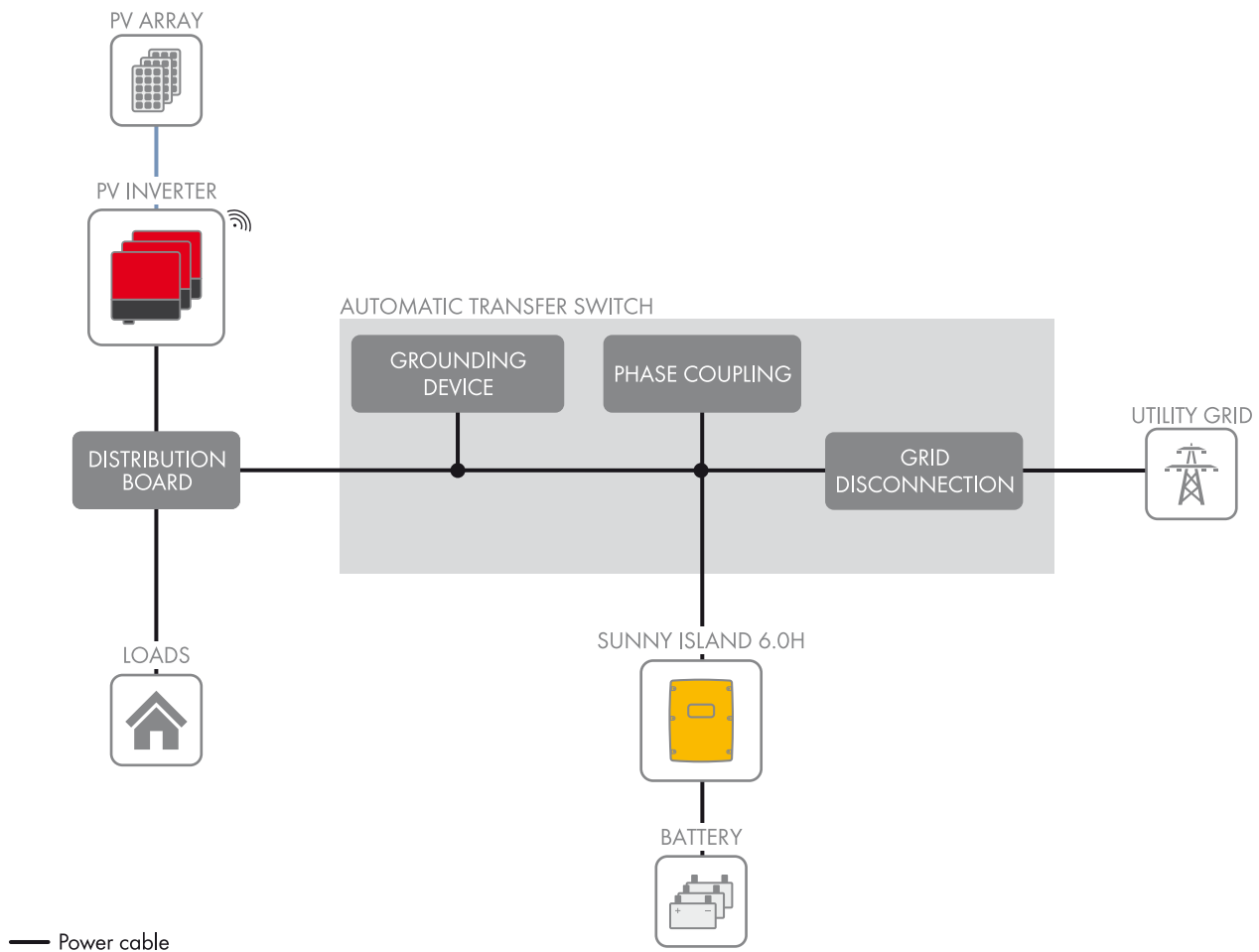


Figure 1: Block circuit diagram of a single-phase battery-backup system

In the event of grid failure, a battery-backup system with Sunny Island supplies loads with energy and a grid-tie PV system with voltage. In the event of grid failure, an automatic transfer switch disconnects the battery-backup grid from the utility grid. After disconnection, the loads and the PV system are not supplied for approximately five to seven seconds. The battery-backup system can then provide active power and reactive power again. The battery-backup system supplies the loads, and the PV system can synchronize with the battery-backup grid and feed in.

When the utility grid is available again, the battery-backup system synchronizes the battery-backup grid with the utility grid. Following successful synchronization, the automatic transfer switch connects the battery-backup grid to the utility grid. If the automatic transfer switch is connected to the utility grid, the battery-backup system uses the battery for increased self-consumption.

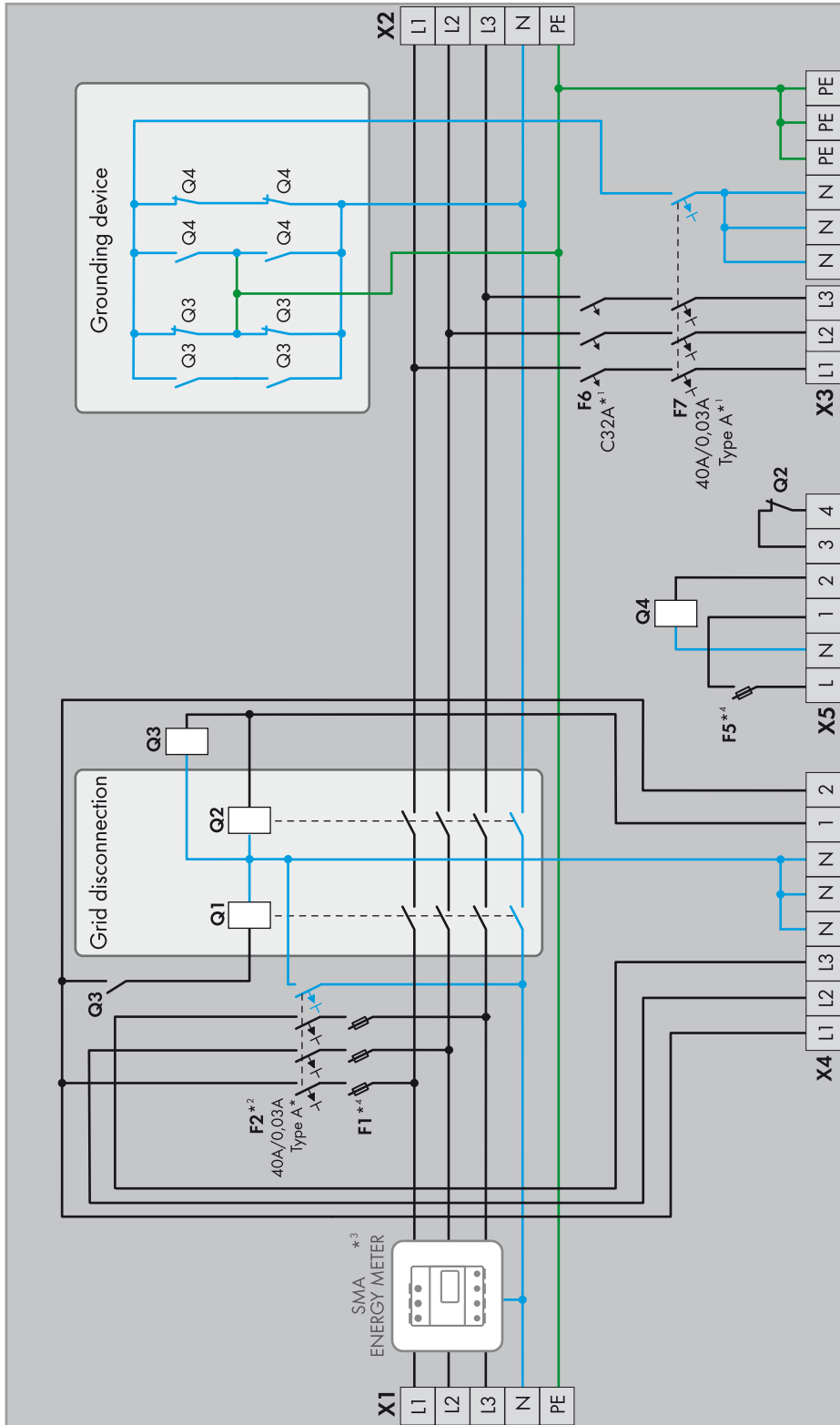
You can set up and wire the automatic transfer switch yourself or acquire it pre-wired from another provider (see planning guidelines "SMA Flexible Storage System with Battery Backup Function" at www.SMA-Solar.com).

i Connection of loads and the PV system

The automatic transfer switch is not a distribution board for the loads or the PV system. You must also install the necessary protective devices for the loads and the PV system.

3.5 Design and Functions of the Automatic Transfer Switch

3.5.1 Devices of the Automatic Transfer Switch



*¹ The indicated values are recommended by SMA Solar Technology AG. The electrical devices must be designed in accordance with the locally applicable standards and directives.
 *² Only applicable for TT grid configuration.
 *³ Not required for systems without increased self-consumption.
 *⁴ Requirements for thermal fuse used: 1 A, nominal cold resistance of at least 0.2 Ω and melting integral max. 1 A² s.

Figure 2: Schematic diagram of a single-phase automatic transfer switch with all-pole disconnection (Example)

An automatic transfer switch provides the following functions:

- Grid disconnection isolates the battery-backup grid from the utility grid.
- The grounding device grounds the battery-backup grid after it has been disconnected from the utility grid.
The grounding device is only required in systems with all-pole disconnection.
- The phase coupling connects the line conductors of the battery-backup system to a single-phase distribution grid.
The phase coupling is a function for single-phase battery-backup systems if the installation of the battery-backup grid is three-phase.
- The SMA Energy Meter measures the grid feed-in and the purchased electricity.
The SMA Energy Meter is only required in systems for increased self-consumption.

3.5.2 Grid Disconnection

Within the automatic transfer switch, a tie switch disconnects the battery-backup grid from the utility grid. The conditions at the tie switch differ depending on the installation site. SMA Solar Technology AG offers two basic structures for grid disconnection, which differ as far as the tie switch is concerned:

- Grid disconnection with all-pole disconnection of the battery-backup grid from the utility grid
In the event of grid failure, a tie switch disconnects all line conductors and the neutral conductor from the utility grid. If the technical connection requirements of the grid operator or the local standards and directives call for or allow all-pole disconnection, you must install this basic structure. You must install all-pole disconnection in the following countries:
 - Belgium
 - Denmark
 - Germany
 - Austria
 - Switzerland
- Grid disconnection without all-pole disconnection of the battery-backup grid from the utility grid
In the event of grid failure, a tie switch disconnects all line conductors from the utility grid. The neutral conductor of the battery-backup grid remains permanently connected to the utility grid. If the technical connection requirements of the grid operator or the local standards and directives prohibit disconnection of the neutral conductor, you must install this basic structure.

Independent of the basic structure, you must adjust the ampacity of the tie switch in accordance with the requirements on site. The tie switch must be designed for at least the operating range of the upstream fuse or the maximum short-circuit current of the PV system.

The circuitry of the automatic transfer switch is designed in such a way that the tie switch disconnects only in the event of a grid failure. If you stop or switch off the Sunny Island, the battery-backup grid remains connected to the utility grid. This means that you can carry out maintenance work on the battery without the supply to the loads being interrupted.

Circuit description of the tie switch with all-pole disconnection*

The tie switch with all-pole disconnection comprises contactors **Q1** and **Q2**. The tie switch disconnects the battery-backup grid from the utility grid in the event of grid failure or if the utility grid has breached the thresholds for voltage and frequency.

The control voltage of contactors **Q1**, **Q2** and **Q3** is equal to the voltage of a line conductor of the utility grid. This means that the tie switch can only be activated when grid voltage is present. An auxiliary contact of contactor **Q3** locks contactor **Q1**. Contactors **Q3** and **Q2** are controlled by multifunction relay **Relay1** of the Sunny Island inverter. If multifunction relay **Relay1** is in non-operative mode, contactors **Q2** and **Q3** activate. If contactor **Q3** is in non-operative mode, contactor **Q1** will also go into non-operative mode and be locked.

In the event of a total grid failure, contactors **Q1**, **Q2** and **Q3** go into non-operative mode due to the lack of control voltage and they disconnect the battery-backup grid with all poles from the utility grid. The Sunny Island also measures the voltage of the utility grid. For this, the Sunny Island is connected with the same line conductor as the control voltage of contactors **Q1**, **Q2** and **Q3**. When a deviation from country-specific voltage and frequency thresholds of the utility grid occurs, multifunction relay **Relay 1** is activated. Contactors **Q1**, **Q2** and **Q3** remain in non-operative mode or go into non-operative mode.

When the utility grid is available again, the Sunny Island detects this. The Sunny Island synchronizes the battery-backup grid with the utility grid. Following successful synchronization, multifunction relay **Relay1** goes into non-operative mode and contactors **Q2** and **Q3** are activated. Contactor **Q3** unlocks contactor **Q1**, and **Q1** is activated. The battery-backup grid is again connected to the utility grid.

Circuit description of the tie switch without all-pole disconnection**

The tie switch without all-pole disconnection consists of contactor **Q2** (see Section 5.1.1 "Schematic Diagram of the Automatic Transfer Switch", page 31). The tie switch disconnects the battery-backup grid from the utility grid in the event of grid failure or if the utility grid has breached the thresholds for voltage and frequency.

The control voltage of contactor **Q2** is the voltage at line conductor L1 of the utility grid. This means that the tie switch can only be activated when grid voltage is present. Contactor **Q2** is controlled by multifunction relay **Relay1** of the Sunny Island inverter. If multifunction relay **Relay1** is in non-operative mode, contactor **Q2** activates.

In the event of a total grid failure, contactor **Q2** goes into non-operative mode due to the lack of control voltage and disconnects the battery-backup grid from the line conductors of the utility grid. The Sunny Island also measures the voltage of the utility grid. For this, the Sunny Island is connected with the same line conductor as the control voltage of contactor **Q2**. When a deviation from the country-specific voltage and frequency thresholds of the utility grid occurs, multifunction relay **Relay 1** is activated. Contactor **Q2** remains in non-operative mode or goes into non-operative mode.

When the utility grid is available again, the Sunny Island detects this. The Sunny Island synchronizes the battery-backup grid with the utility grid. Following successful synchronization, multifunction relay **Relay1** goes into non-operative mode and contactor **Q2** activates. The battery-backup grid is again connected to the utility grid.

* The explanation is based on a single-phase battery-backup system with one Sunny Island. Three-phase battery-backup systems behave in a similar manner.

** The explanation is based on a single-phase battery-backup system with one Sunny Island. Three-phase battery-backup systems behave in a similar manner.

3.5.3 Grounding Device for the Battery-Backup Grid

With TN and TT systems, the neutral conductor must be grounded for protection in the case of indirect contact with live components. Grounding in the utility grid is usually achieved at the local grid transformer.

In automatic transfer switches with all-pole disconnection, all poles of the battery-backup grid are disconnected from the utility grid in the event of grid failure. As a result of the disconnection, the neutral conductor in the battery-backup grid is not grounded. Therefore, in automatic transfer switches with all-pole disconnection, a grounding device must ground the neutral conductor in the event of grid failure. The grounding device enables the required protection in the event of indirect contact with live components. The grounding device is set up for fail-safe operation.

If the neutral conductor of the battery-backup grid is connected to the utility grid, there must be no further grounding in the battery-backup grid. The grounding device therefore disconnects the connection between the neutral conductor and ground if the automatic transfer switch connects the battery-backup grid to the utility grid.

Circuit description of the grounding device

Contactors **Q3** and **Q4** form the grounding device (see Section 4.1 "Single-Phase Battery-Backup System", page 21). Contactors **Q3** and **Q4** are controlled by the two multifunction relays of the Sunny Island inverter. Triggering of contactor **Q3** occurs simultaneously with contactor **Q2** of the tie switch. If contactor **Q2** deactivates and the tie switch opens, contactor **Q3** connects the neutral conductor in the battery-backup grid to the grounding conductor. In addition, the Sunny Island uses multifunction relay **Relay 2** to control contactor **Q4**. When multifunction relay **Relay 2** is activated, contactor **Q4** is activated and also connects the neutral conductor to the grounding conductor. This arrangement ensures that the neutral conductor of the battery-backup grid is always connected to ground.

3.5.4 Phase Coupling for Single-Phase Battery-Backup Systems

In single-phase battery-backup systems, in the event of grid failure, the battery-backup grid is single-phase. If the installation of the battery-backup grid is three-phase, only one part of the loads can continue to be supplied.

Phase coupling enables combination of the line conductors in the battery-backup grid. As a result, the other two line conductors are also supplied with voltage. This means that, in the event of grid failure, a three-phase battery-backup grid becomes a single-phase distribution grid.

Phase coupling can be switched on independently for the other line conductors. Phase coupling is only suitable for battery-backup grids with single-phase PV inverters and single-phase loads.

Circuit description of the phase coupling

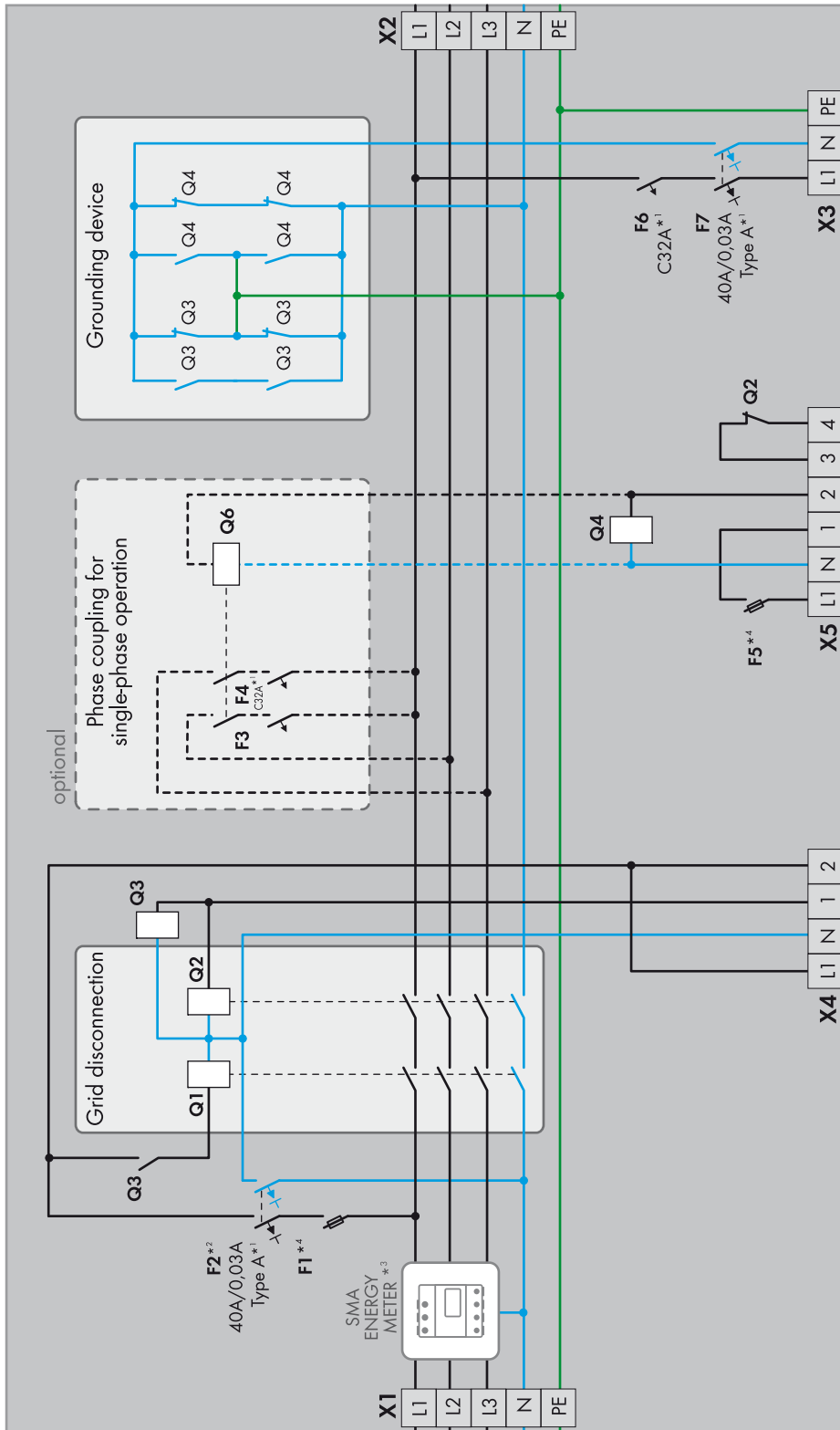
Contactors **Q6** is the phase coupler. If multifunction relay **Relay2** activates on the Sunny Island, contactor **Q6** activates and connects the unsupplied line conductors via circuit breakers **F3** and **F4** with the supplied line conductor.

In the event of grid failure, the line conductor that is connected with the Sunny Island is supplied with voltage first. Then the phase coupling combines the two other line conductors. When the utility grid is available again, the phase coupling disconnects the combined line conductors. Only the line conductor that is connected to the Sunny Island is not interrupted on connection to the utility grid.

4 Battery-Backup Systems With All-Pole Disconnection

4.1 Single-Phase Battery-Backup System

4.1.1 Schematic Diagram of the Automatic Transfer Switch



*1 The indicated values are recommended by SMA Solar Technology AG. The electrical devices must be designed in accordance with the locally applicable standards and directives.

*2 Only applicable for TT grid configuration.

*3 Not required for systems without increased self-consumption.

*4 Requirements for thermal fuse used: 1A, nominal cold resistance of at least 0.2Ω and melting integral max. 1A²s.

Figure 3: Schematic diagram of the single-phase automatic transfer switch with all-pole disconnection

4.1.2 Circuitry Overview

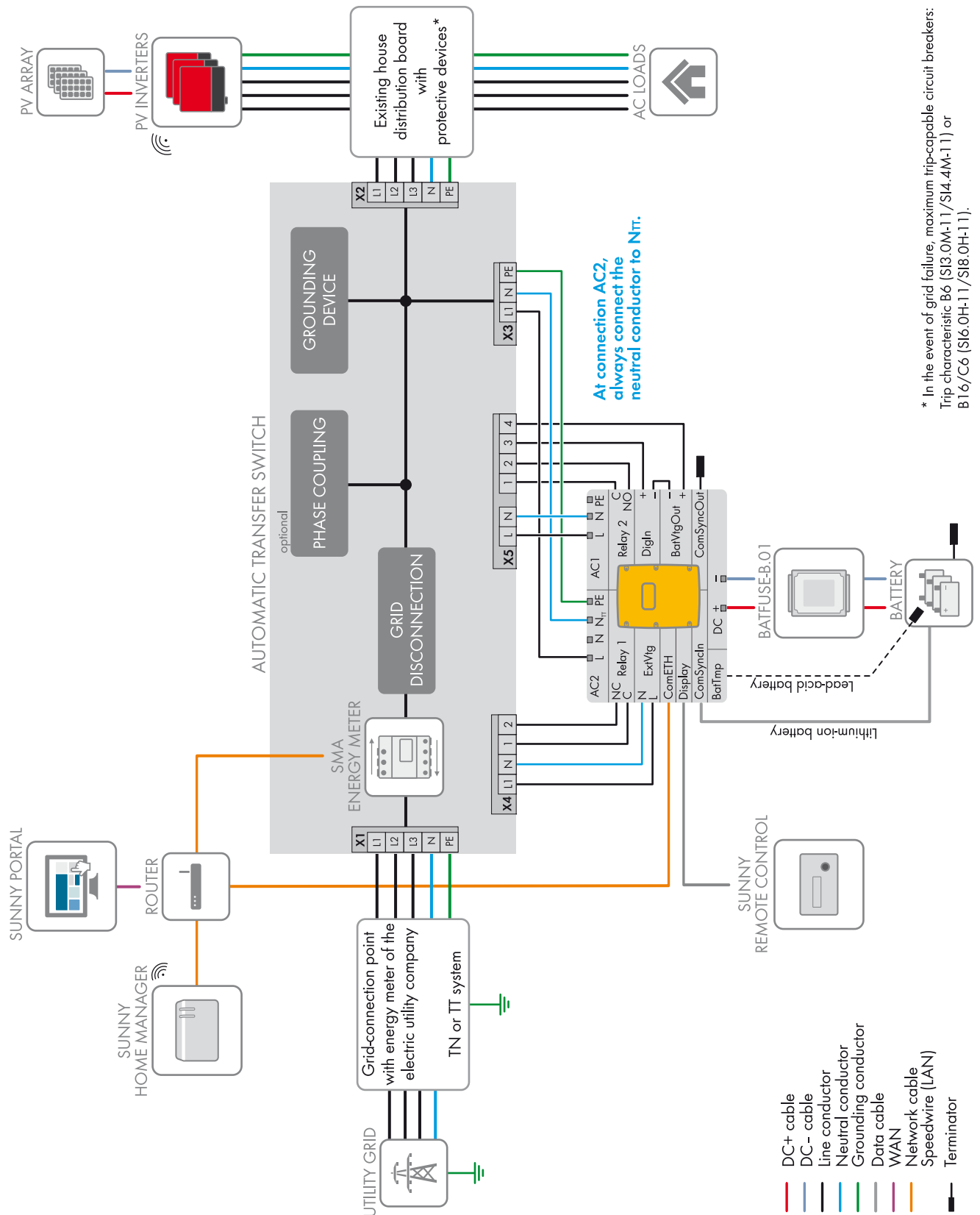


Figure 4: Connection of the automatic transfer switch with all-pole disconnection (e.g., for Germany)

4.1.3 Connecting the Sunny Island Inverter

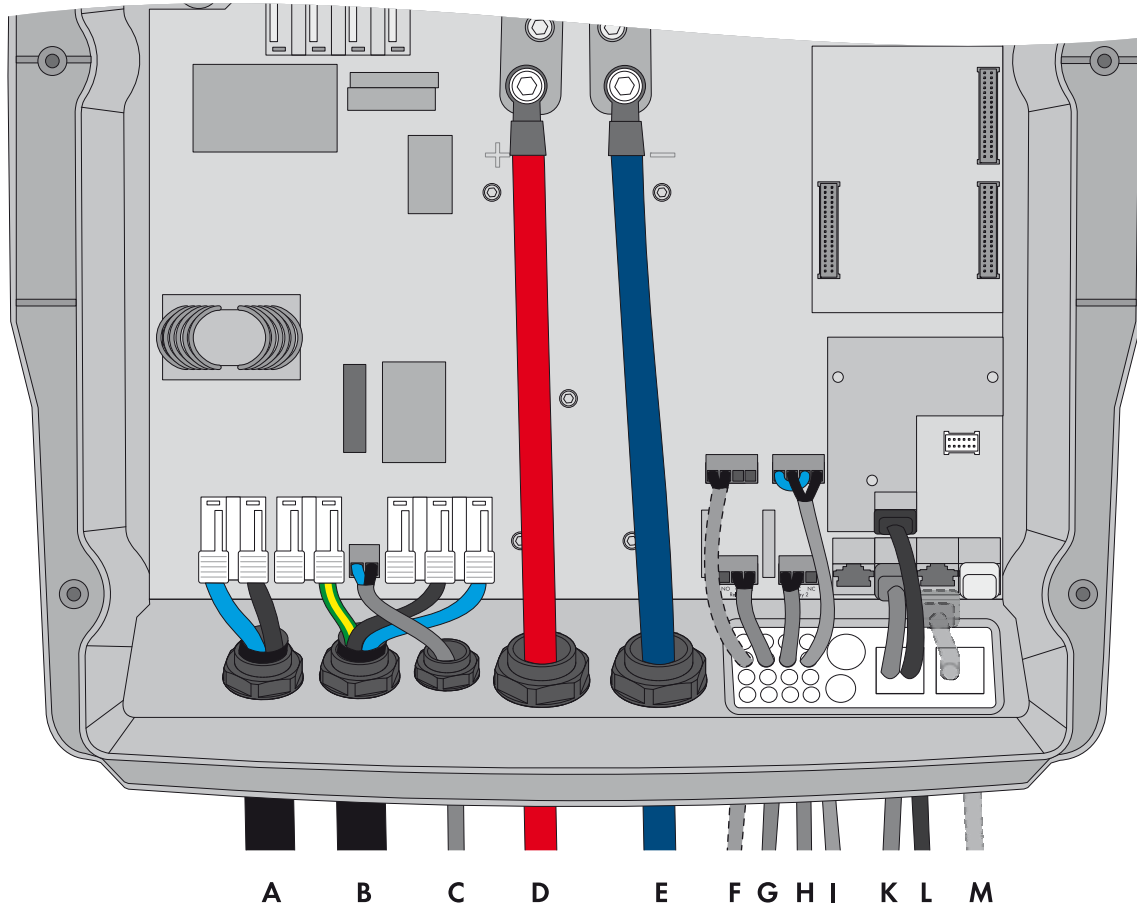


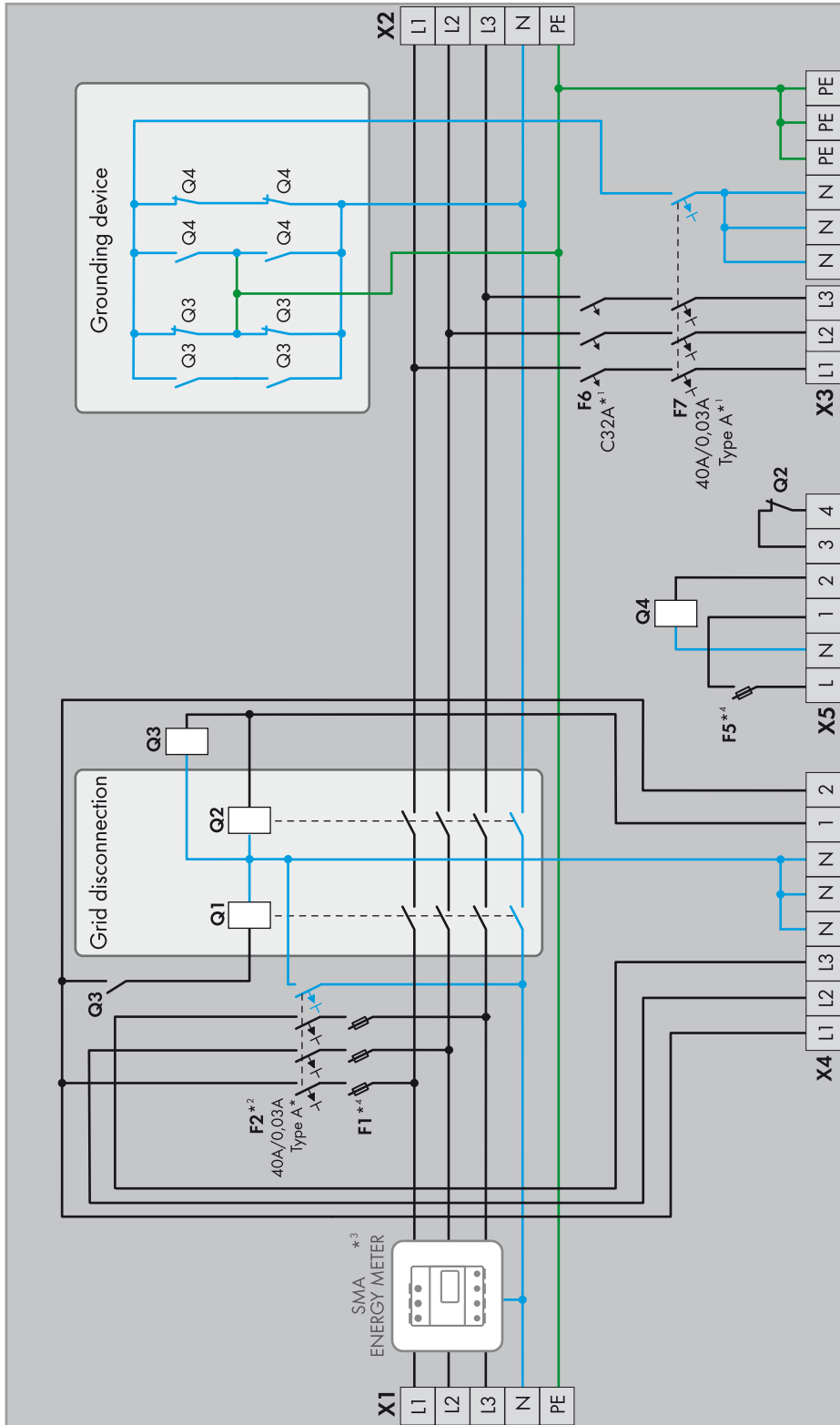
Figure 5: Connecting the Sunny Island inverter

Position	Designation	Description / information
A	Cable for the control voltage	Sunny Island: connection AC1 Loads/SunnyBoys terminals L and N Automatic transfer switch: connection X5 terminals L and N Conductor cross-section: 2.5 mm ² to 16 mm ²
B	AC power cable	Sunny Island: connection AC2 Gen/Grid terminals L , N_{TT} and PE Automatic transfer switch: connection X3 terminals L1 , N and PE Conductor cross-section: 10 mm ² to 16 mm ²
C	Measuring cable for voltage measurement	Sunny Island: connection ExtVtg terminals L and N Automatic transfer switch: connection X4 terminals L1 and N Conductor cross-section: 1.5 mm ² to 2.5 mm ²
D	DC+ cable	Battery connection
E	DC – cable	Conductor cross-section: 50 mm ² to 95 mm ² Cable diameter: 14 mm to 25 mm Torque: 12 Nm

Position	Designation	Description / information
F	Measuring cable of the battery temperature sensor	<p>Sunny Island: connection BatTmp</p> <p>You only have to connect a battery temperature sensor if lead-acid batteries are used.</p> <p>Mount the battery temperature sensor in the middle of the battery-storage system, in the upper third of the battery cell.</p>
G	Control cable of the tie switch	<p>Sunny Island: connection Relay1 terminals C and NC</p> <p>Automatic transfer switch: connection X4 terminals 1 and 2</p> <p>If the multifunction relay activates, the contactors of the tie switch deactivate.</p> <p>Conductor cross-section: 1.5 mm² to 2.5 mm²</p>
H	Control cable of contactors Q4 and Q6	<p>Sunny Island: connection Relay2 terminals C and NO</p> <p>Automatic transfer switch: connection X5 terminals 1 and 2</p> <p>If the multifunction relay activates, the contactors activate.</p> <p>Conductor cross-section: 1.5 mm² to 2.5 mm²</p>
I	Measuring cable for monitoring the tie switch	<p>Sunny Island: connections DigIn+ and BatVtgOut+</p> <p>Automatic transfer switch: connection X5 terminals 3 and 4</p> <p>Use a separate cable as a measuring cable for monitoring the tie switch. This will help prevent disturbances during the transmission of signals.</p> <p>Conductor cross-section: 0.2 mm² to 2.5 mm²</p> <p>Inside the Sunny Island inverter, connect connections DigIn – and BatVtgOut –.</p>
K	Data cable to Sunny Remote Control	Sunny Island: connection Display
L	Speedwire network cable	<p>Sunny Island: connection ComETH</p> <p>In order to connect the router/network switch, the Speedwire data module Sunny Island must be mounted in the Sunny Island (see Sunny Island Speedwire data module installation manual). Connection ComETH is on the data module.</p>
M	Data cable for battery management	<p>Sunny Island: connection ComSync In</p> <p>A data cable must be connected to the battery only when lithium-ion batteries are used. The communication bus must be equipped with a terminator on both ends.</p>

4.2 Three-Phase Battery-Backup System

4.2.1 Schematic Diagram of the Automatic Transfer Switch



*¹ The indicated values are recommended by SMA Solar Technology AG. The electrical devices must be designed in accordance with the locally applicable standards and directives.
 *² Only applicable for TT grid configuration.
 *³ Not required for systems without increased self-consumption.
 *⁴ Requirements for thermal fuse used: 1A, nominal cold resistance of at least 0.2 Ω and melting integral max. 1A²s.

Figure 6: Schematic diagram of the three-phase automatic transfer switch with all-pole disconnection

4.2.2 Circuitry Overview

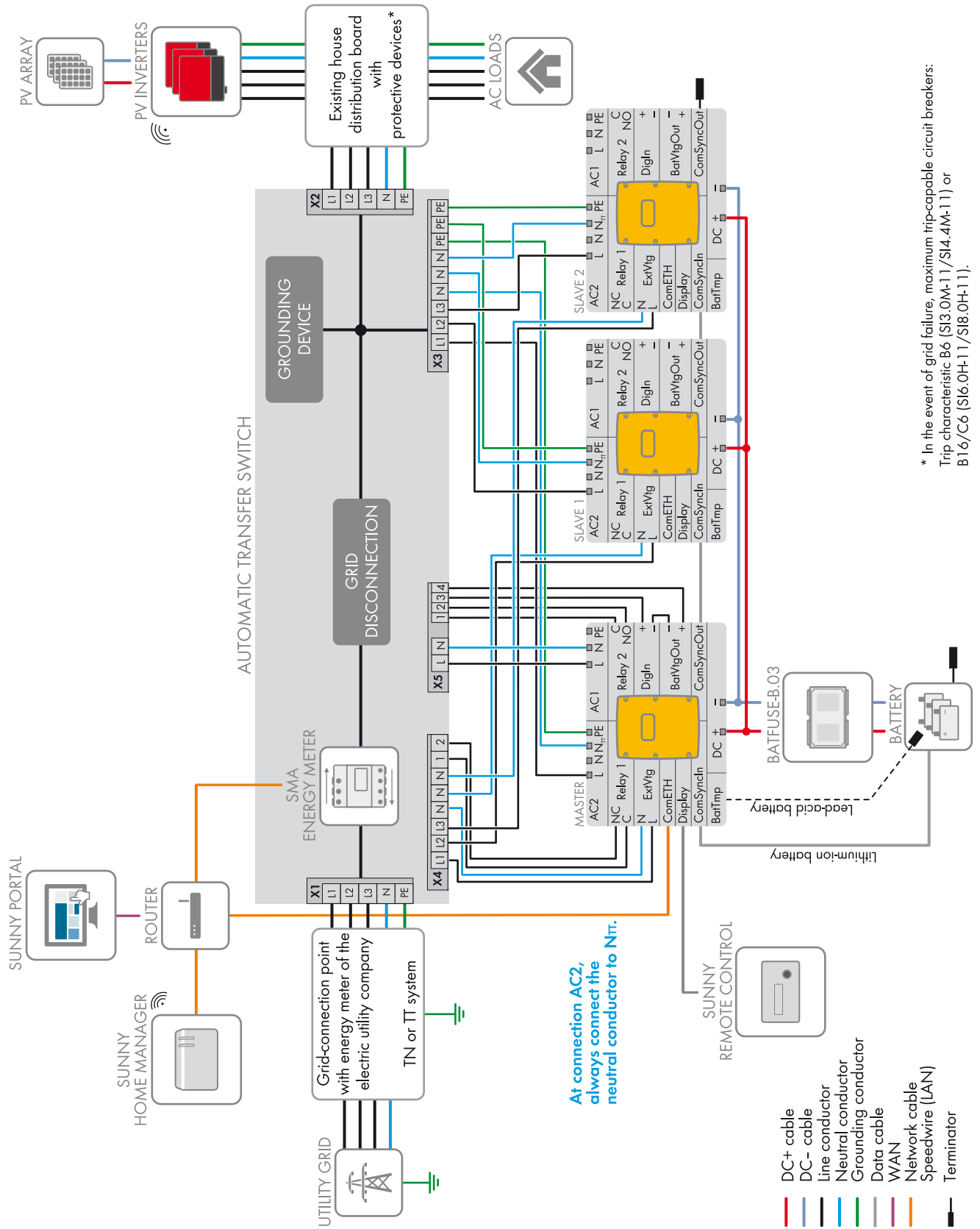


Figure 7: Connection of the automatic transfer switch with all-pole disconnection (e.g., for Germany)

4.2.3 Connecting the Master

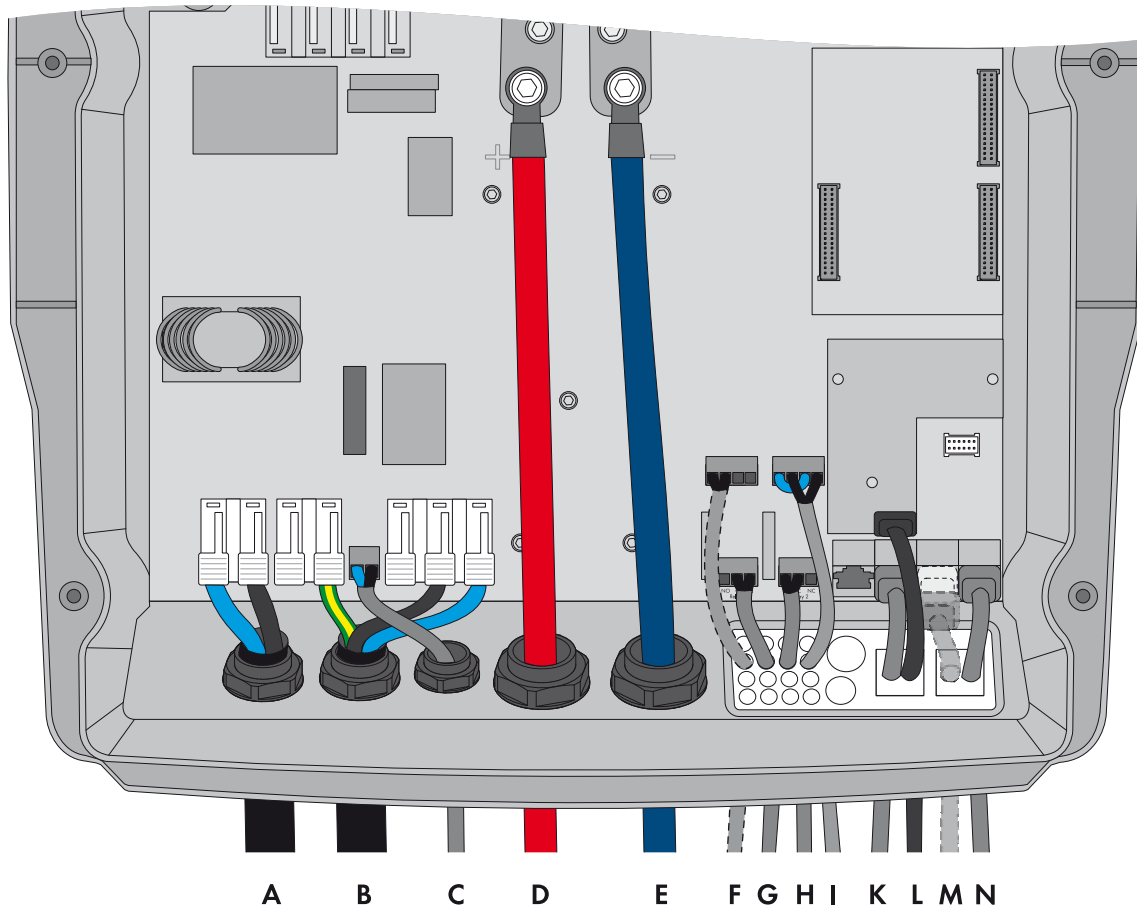


Figure 8: Connecting the master

Position	Designation	Description / information
A	Cable for the control voltage	Sunny Island: connection AC1 Loads/SunnyBoys terminals L and N Automatic transfer switch: connection X5 terminals L and N Conductor cross-section: 2.5 mm ² to 16 mm ²
B	AC power cable	Sunny Island: connection AC2 Gen/Grid terminals L , N_{TT} and PE Automatic transfer switch: connection X3 terminals L1 , N and PE Conductor cross-section: 10 mm ² to 16 mm ²
C	Measuring cable for voltage measurement	Sunny Island: connection ExtVtg terminals L and N Automatic transfer switch: connection X4 terminals L1 and N Conductor cross-section: 1.5 mm ² to 2.5 mm ²
D	DC+ cable	Battery connection
E	DC – cable	Conductor cross-section: 50 mm ² to 95 mm ² Cable diameter: 14 mm to 25 mm Torque: 12 Nm

Position	Designation	Description / information
F	Measuring cable of the battery temperature sensor	<p>Sunny Island: connection BatTmp</p> <p>You only have to connect a battery temperature sensor if lead-acid batteries are used.</p> <p>Mount the battery temperature sensor in the middle of the battery-storage system, in the upper third of the battery cell.</p>
G	Control cable of the tie switch	<p>Sunny Island: connection Relay1 terminals C and NC</p> <p>Automatic transfer switch: connection X4 terminals 1 and 2</p> <p>If the multifunction relay activates, the contactors of the tie switch deactivate.</p> <p>Conductor cross-section: 1.5 mm² to 2.5 mm²</p>
H	Control cable of contactor Q4	<p>Sunny Island: connection Relay2 terminals C and NO</p> <p>Automatic transfer switch: connection X5 terminals 1 and 2</p> <p>If the multifunction relay activates, contactor Q4 activates.</p> <p>Conductor cross-section: 1.5 mm² to 2.5 mm²</p>
I	Measuring cable for monitoring the tie switch	<p>Sunny Island: connections DigIn+ and BatVtgOut+</p> <p>Automatic transfer switch: connection X5 terminals 3 and 4</p> <p>Use a separate cable as a measuring cable for monitoring the tie switch. This will help prevent disturbances during the transmission of signals.</p> <p>Conductor cross-section: 0.2 mm² to 2.5 mm²</p> <p>Inside the Sunny Island inverter, connect connections DigIn - and BatVtgOut -.</p>
K	Data cable to Sunny Remote Control	Sunny Island: connection Display
L	Speedwire network cable	<p>Sunny Island: connection ComETH</p> <p>In order to connect the router/network switch, the Speedwire data module Sunny Island must be mounted in the Sunny Island (see Sunny Island Speedwire data module installation manual). Connection ComETH is on the data module.</p>
M	Data cable for battery management	<p>Sunny Island: connection ComSync In</p> <p>A data cable must be connected to the battery only when lithium-ion batteries are used. The communication bus must be equipped with a terminator on both ends.</p>
N	Data cable for the internal communication in the cluster	<p>Sunny Island: connection ComSync Out</p> <p>Connection of internal communication bus of slave 1</p>

4.2.4 Connecting the Slaves

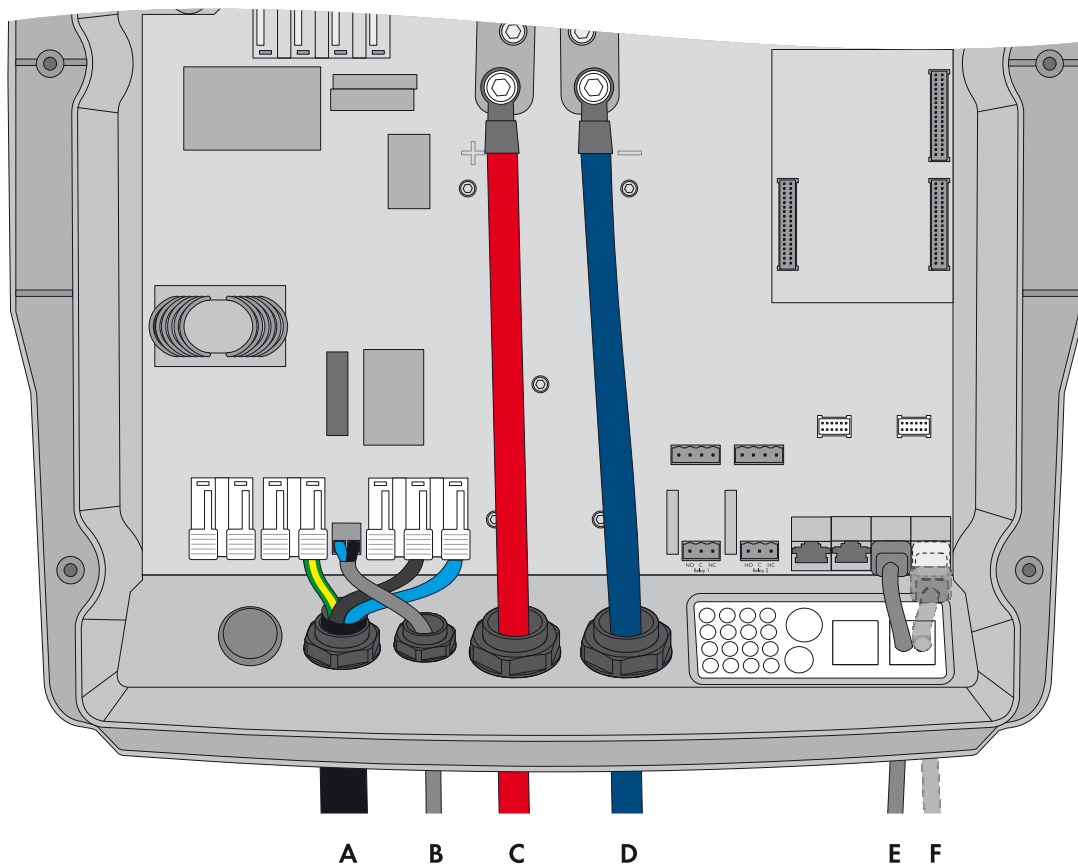


Figure 9: Connecting the slaves

Position	Designation	Description / information
A	AC power cable	<p>Sunny Island: connection AC2 Gen/Grid terminals L, N_{TT} and PE</p> <p>Automatic transfer switch:</p> <p>Connect slave 1 to X3 terminals L2, N and PE.</p> <p>Connect slave 2 to X3, terminals L3, N and PE.</p> <p>Conductor cross-section: 10 mm² to 16 mm²</p>
B	Measuring cable for voltage measurement	<p>Sunny Island: connection ExtVtg terminals L and N</p> <p>Automatic transfer switch:</p> <p>Connect slave 1 to X4 terminals L2 and N.</p> <p>Connect slave 2 to X4 terminals L3 and N.</p> <p>Conductor cross-section: 1.5 mm² to 2.5 mm²</p>
C	DC+ cable	Battery connection
D	DC – cable	<p>Conductor cross-section: 50 mm² to 95 mm²</p> <p>Cable diameter: 14 mm to 25 mm</p> <p>Torque: 12 Nm</p>
E	Data cable for the internal communication in the cluster	<p>Sunny Island: connection ComSync In</p> <p>With slave 1: connection of internal communication bus of the master</p> <p>With slave 2: connection of internal communication bus of slave 1</p>

Position	Designation	Description / information
F	Data cable for the internal communication in the cluster	Sunny Island: connection ComSync Out With slave 1: connection of internal communication bus after slave 2 With slave 2: leave terminator plugged in. Slave 2 is connected to slave 1 only.

5 Battery-Backup Systems Without All-Pole Disconnection

5.1 Single-Phase Battery-Backup System

5.1.1 Schematic Diagram of the Automatic Transfer Switch

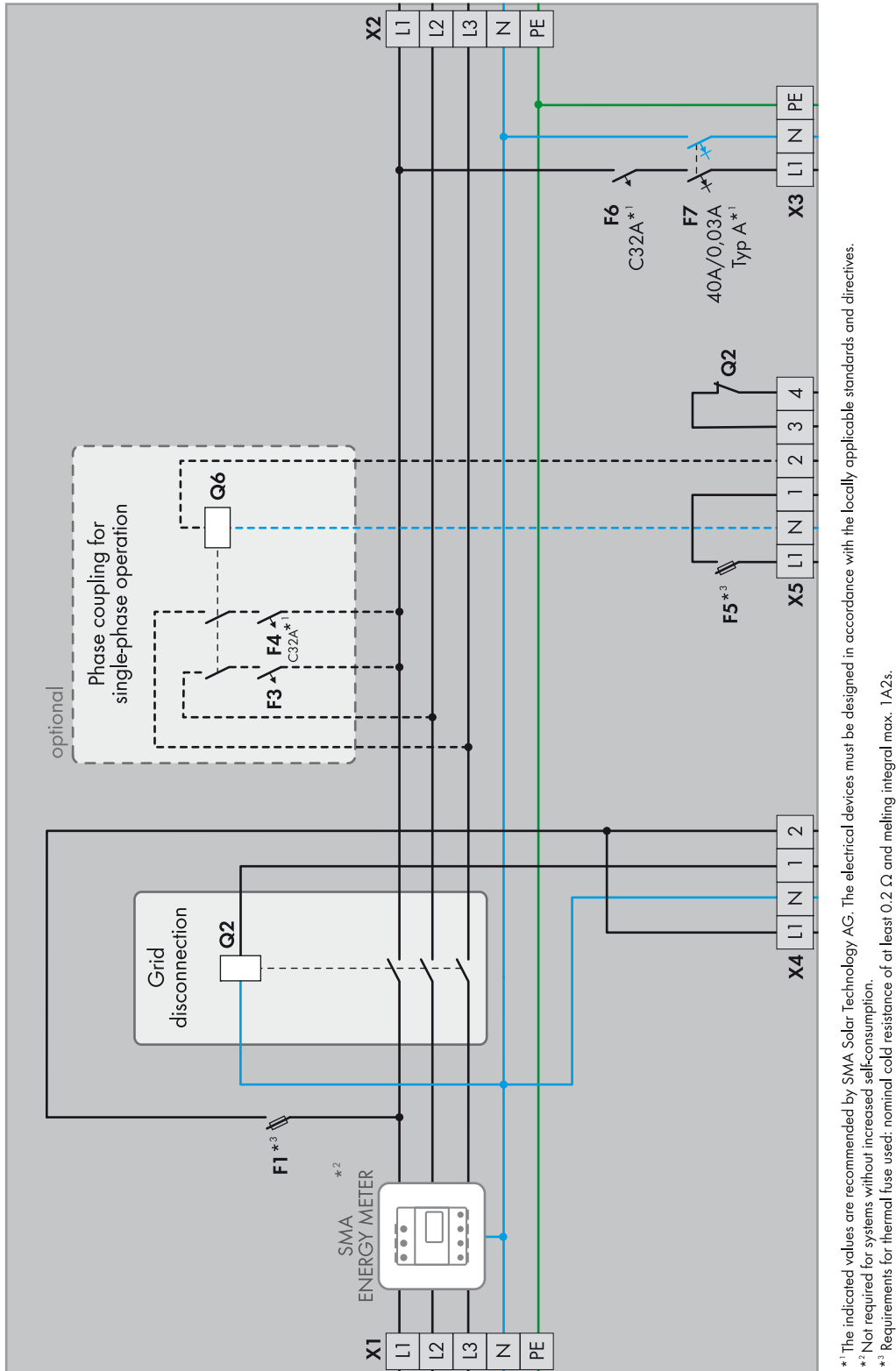


Figure 10: Schematic diagram of the single-phase automatic transfer switch without all-pole disconnection

5.1.2 Circuitry Overview

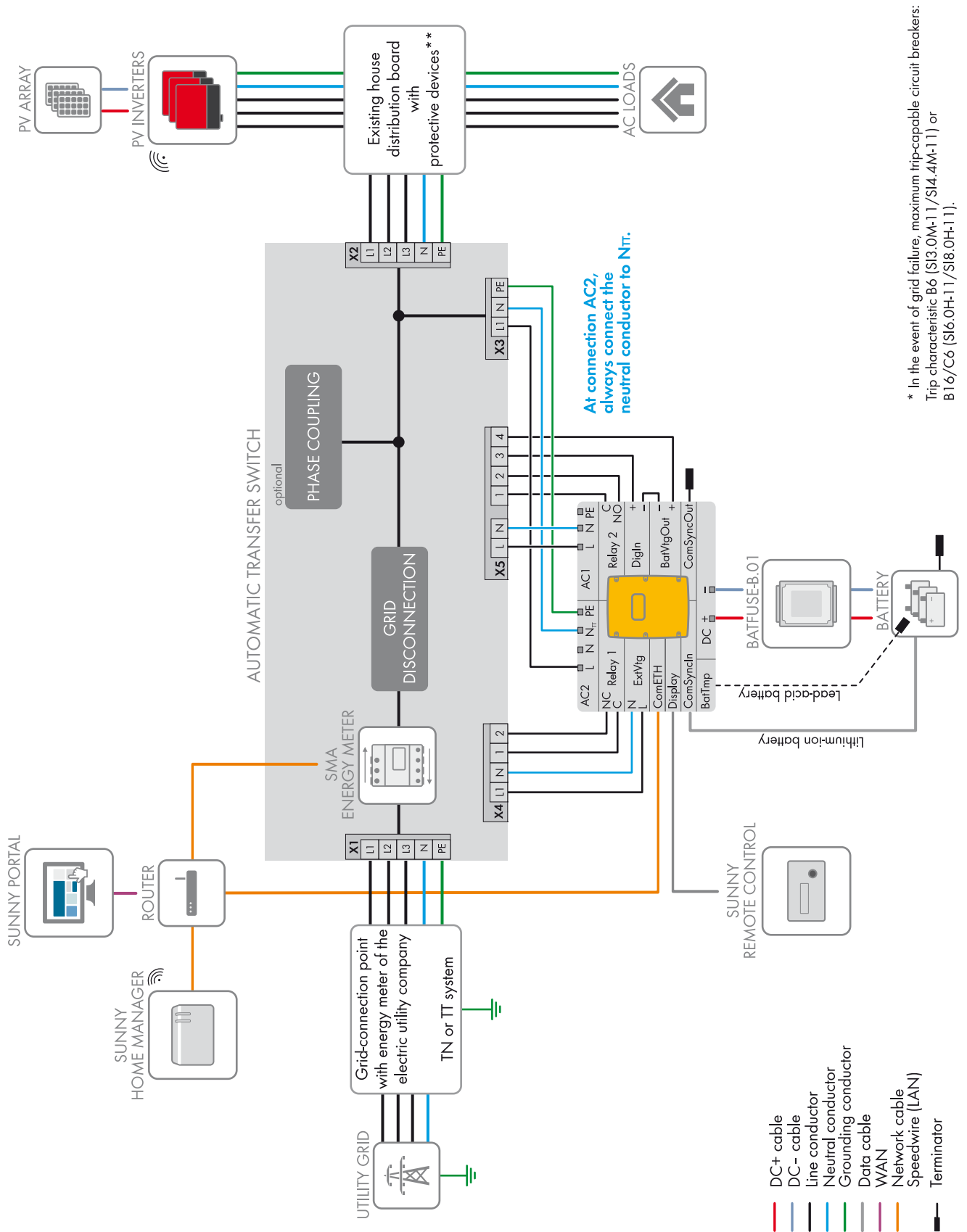


Figure 11: Connection of the automatic transfer switch without all-pole disconnection

5.1.3 Connecting the Sunny Island Inverter

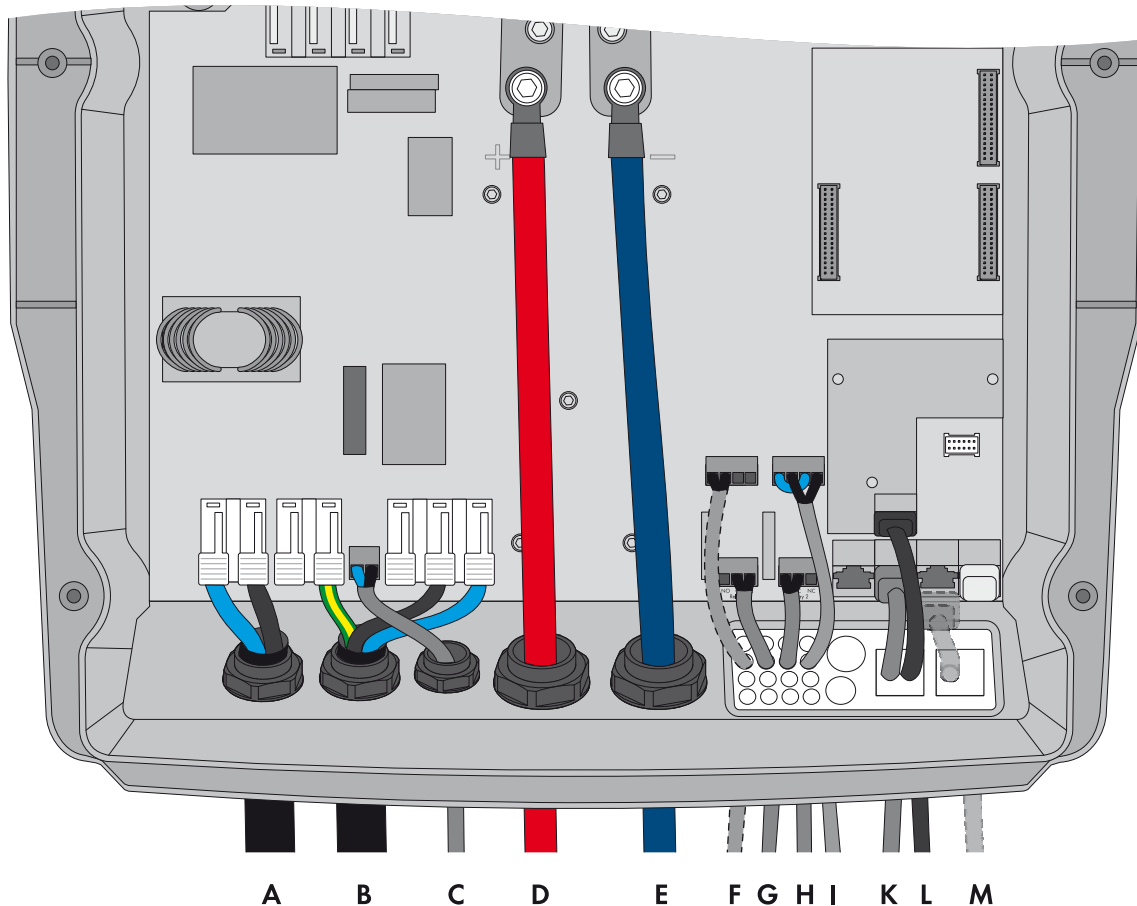


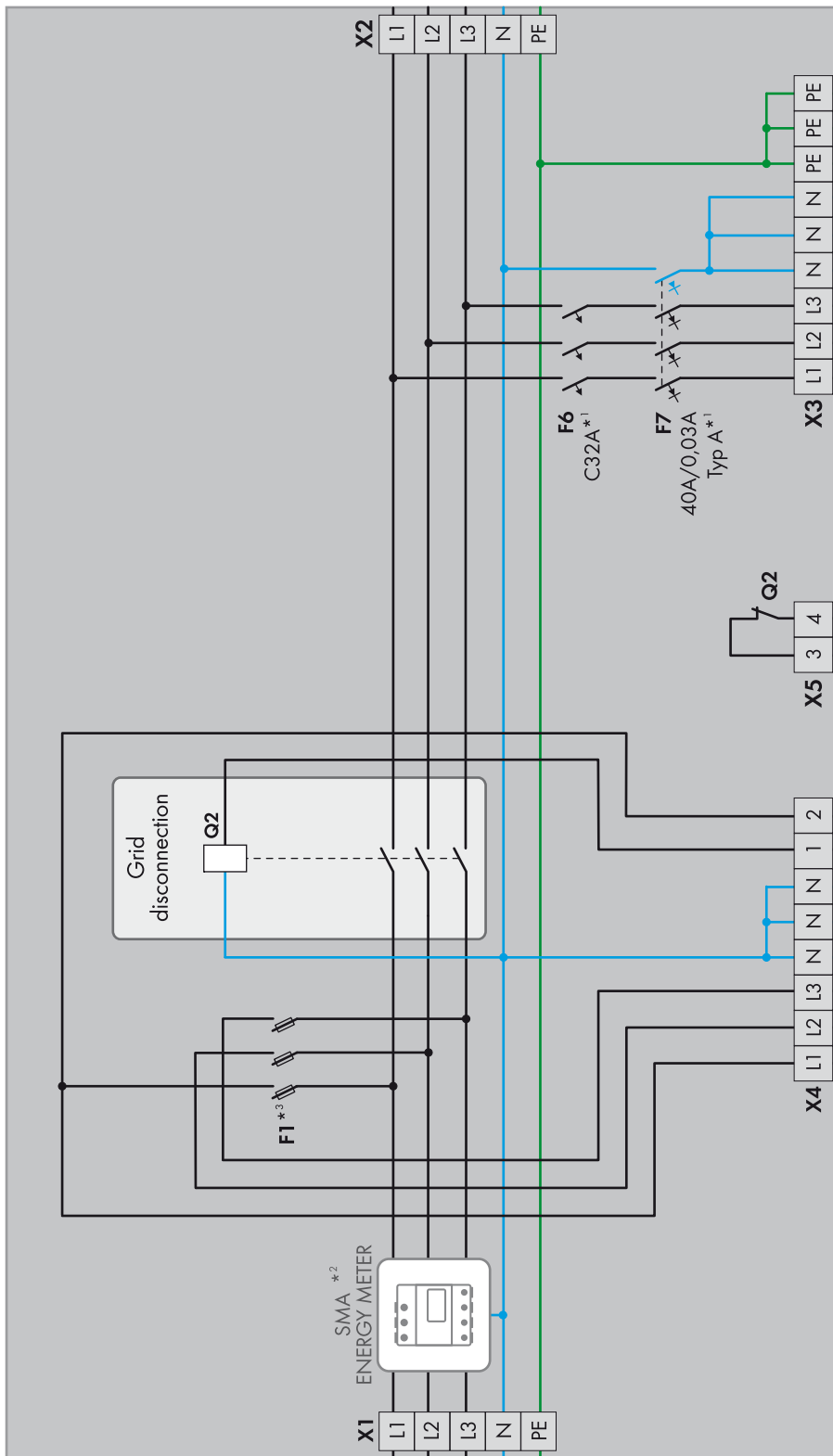
Figure 12: Connecting the Sunny Island inverter

Position	Designation	Description / information
A	Cable for the control voltage	Sunny Island: connection AC1 Loads/SunnyBoys terminals L and N Automatic transfer switch: connection X5 terminals L and N This cable is only required for phase coupling. Conductor cross-section: 2.5 mm ² to 16 mm ²
B	AC power cable	Sunny Island: connection AC2 Gen/Grid terminals L , N_{TT} and PE Automatic transfer switch: connection X3 terminals L1 , N and PE Conductor cross-section: 10 mm ² to 16 mm ²
C	Measuring cable for voltage measurement	Sunny Island: connection ExtVtg terminals L and N Automatic transfer switch: connection X4 terminals L1 and N Conductor cross-section: 1.5 mm ² to 2.5 mm ²
D	DC+ cable	Battery connection
E	DC – cable	Conductor cross-section: 50 mm ² to 95 mm ² Cable diameter: 14 mm to 25 mm Torque: 12 Nm

Position	Designation	Description / information
F	Measuring cable of the battery temperature sensor	Sunny Island: connection BatTmp You only have to connect a battery temperature sensor if lead-acid batteries are used. Mount the battery temperature sensor in the middle of the battery-storage system, in the upper third of the battery cell.
G	Control cable of the tie switch	Sunny Island: connection Relay1 terminals C and NC Automatic transfer switch: connection X4 terminals 1 and 2 If the multifunction relay activates, the contactor of the tie switch deactivates. Conductor cross-section: 1.5 mm ² to 2.5 mm ²
H	Control cable of contactor Q6	Sunny Island: connection Relay2 terminals C and NO Automatic transfer switch: connection X5 terminals 1 and 2 If the multifunction relay activates, the contactor activates. This cable is only required for phase coupling. Conductor cross-section: 1.5 mm ² to 2.5 mm ²
I	Measuring cable for monitoring the tie switch	Sunny Island: connections DigIn+ and BatVtgOut+ Automatic transfer switch: connection X5 terminals 3 and 4 Use a separate cable as a measuring cable for monitoring the tie switch. This will help prevent disturbances during the transmission of signals. Conductor cross-section: 0.2 mm ² to 2.5 mm ² Inside the Sunny Island inverter, connect connections DigIn - and BatVtgOut - .
K	Data cable to Sunny Remote Control	Sunny Island: connection Display
L	Speedwire network cable	Sunny Island: connection ComETH In order to connect the router/network switch, the Speedwire data module Sunny Island must be mounted in the Sunny Island (see Sunny Island Speedwire data module installation manual). Connection ComETH is on the data module.
M	Data cable for battery management	Sunny Island: connection ComSync In A data cable must be connected to the battery only when lithium-ion batteries are used. The communication bus must be equipped with a terminator on both ends.

5.2 Three-Phase Battery-Backup System

5.2.1 Schematic Diagram of the Automatic Transfer Switch



*¹ The indicated values are recommended by SMA Solar Technology AG. The electrical devices must be designed in accordance with the locally applicable standards and directives.
 *² Not required for systems without increased self-consumption.
 *³ Requirements for thermal fuse used: nominal cold resistance of at least 0.2 Ω and melting integral max. 1A2s. .

Figure 13: Schematic diagram of the three-phase automatic transfer switch without all-pole disconnection

5.2.2 Circuitry Overview

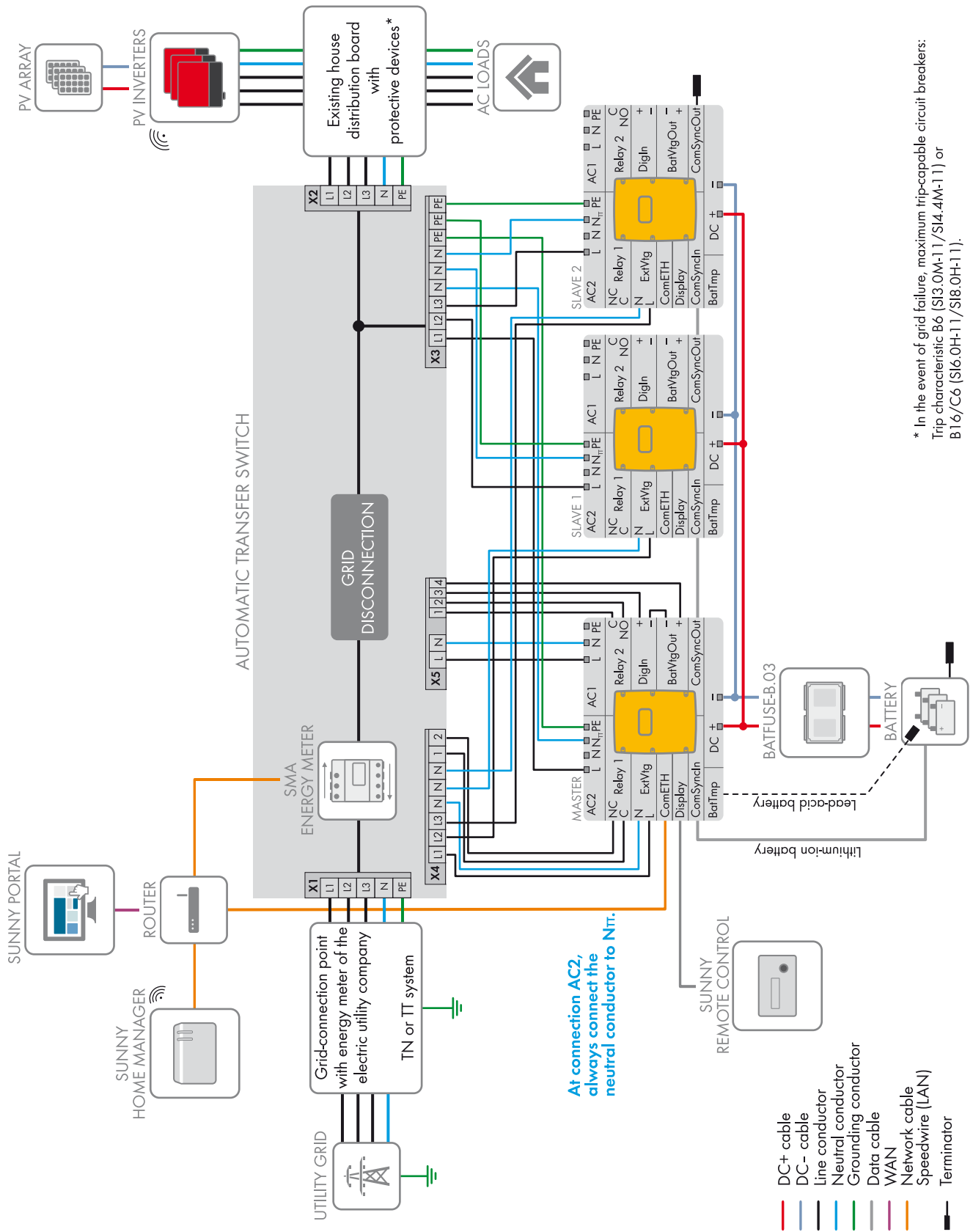


Figure 14: Connection of the automatic transfer switch

5.2.3 Connecting the Master

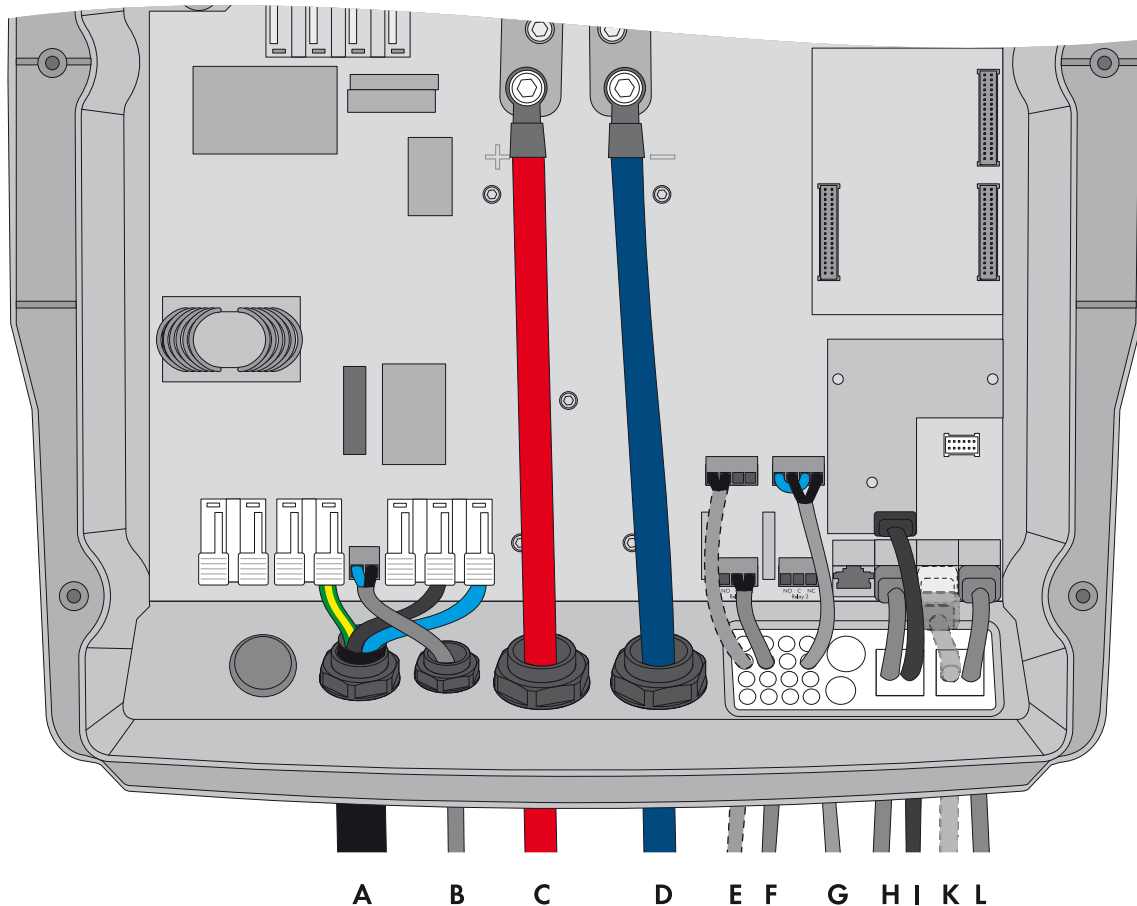


Figure 15: Connecting the master

Position	Designation	Description / information
A	AC power cable	<p>Sunny Island: connection AC2 Gen/Grid terminals L, N_{TT} and PE</p> <p>Automatic transfer switch: connection X3 terminals L1, N and PE</p> <p>Conductor cross-section: 10 mm² to 16 mm²</p>
B	Measuring cable for voltage measurement	<p>Sunny Island: connection ExtVtg terminals L and N</p> <p>Automatic transfer switch: connection X4 terminals L1 and N</p> <p>Conductor cross-section: 1.5 mm² to 2.5 mm²</p>
C	DC+ cable	Battery connection
D	DC – cable	<p>Conductor cross-section: 50 mm² to 95 mm²</p> <p>Cable diameter: 14 mm to 25 mm</p> <p>Torque: 12 Nm</p>
E	Measuring cable of the battery temperature sensor	<p>Sunny Island: connection BatTmp</p> <p>You only have to connect a battery temperature sensor if lead-acid batteries are used.</p> <p>Mount the battery temperature sensor in the middle of the battery-storage system, in the upper third of the battery cell.</p>

Position	Designation	Description / information
F	Control cable of the tie switch	<p>Sunny Island: connection Relay1 terminals C and NC Automatic transfer switch: connection X4 terminals 1 and 2</p> <p>If the multifunction relay activates, the contactor of the tie switch deactivates.</p> <p>Conductor cross-section: 1.5 mm² to 2.5 mm²</p>
G	Measuring cable for monitoring the tie switch	<p>Sunny Island: connections DigIn+ and BatVtgOut+ Automatic transfer switch: connection X5 terminals 3 and 4</p> <p>Use a separate cable as a measuring cable for monitoring the tie switch. This will help prevent disturbances during the transmission of signals.</p> <p>Conductor cross-section: 0.2 mm² to 2.5 mm²</p> <p>Inside the Sunny Island inverter, connect connections DigIn - and BatVtgOut - .</p>
I	Data cable to Sunny Remote Control	Sunny Island: connection Display
K	Speedwire network cable	<p>Sunny Island: connection ComETH</p> <p>In order to connect the router/network switch, the Speedwire data module Sunny Island must be mounted in the Sunny Island (see Sunny Island Speedwire data module installation manual). Connection ComETH is on the data module.</p>
L	Data cable for battery management	<p>Sunny Island: connection ComSync In</p> <p>A data cable must be connected to the battery only when lithium-ion batteries are used. The communication bus must be equipped with a terminator on both ends.</p> <p>If no data cable is plugged in, plug the terminator into ComSync In.</p>
M	Data cable for the internal communication in the cluster	Sunny Island: connection ComSync Out

5.2.4 Connecting the Slaves

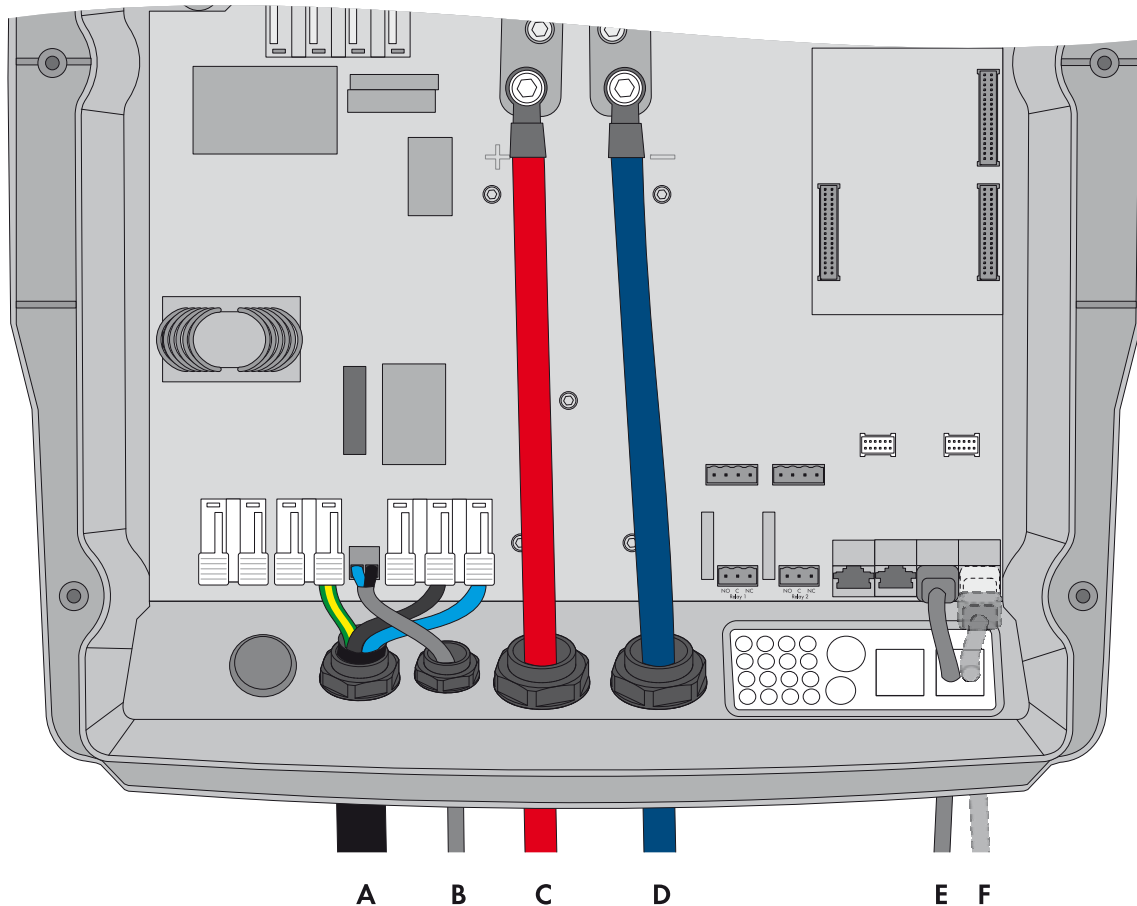


Figure 16: Connecting the slaves

Position	Designation	Description / information
A	AC power cable	Sunny Island: connection AC2 Gen/Grid terminals L , N_{TT} and PE Automatic transfer switch: Connect slave 1 to X3 terminals L2 , N and PE . Connect slave 2 to X3 , terminals L3 , N and PE . Conductor cross-section: 10 mm ² to 16 mm ²
B	Measuring cable for voltage measurement	Sunny Island: connection ExtVtg terminals L and N Automatic transfer switch: connect slave 1 to X4 terminals L2 and N . Connect slave 2 to X4 terminals L3 and N . Conductor cross-section: 1.5 mm ² to 2.5 mm ²
C	DC+ cable	Battery connection
D	DC – cable	Conductor cross-section: 50 mm ² to 95 mm ² Cable diameter: 14 mm to 25 mm Torque: 12 Nm
E	Data cable for the internal communication in the cluster	Sunny Island: connection ComSync In
F	Data cable for the internal communication in the cluster	Sunny Island: connection ComSync Out With slave 2, leave terminator plugged in. Slave 2 is connected to slave 1 only.

6 Connecting the Sunny Home Manager

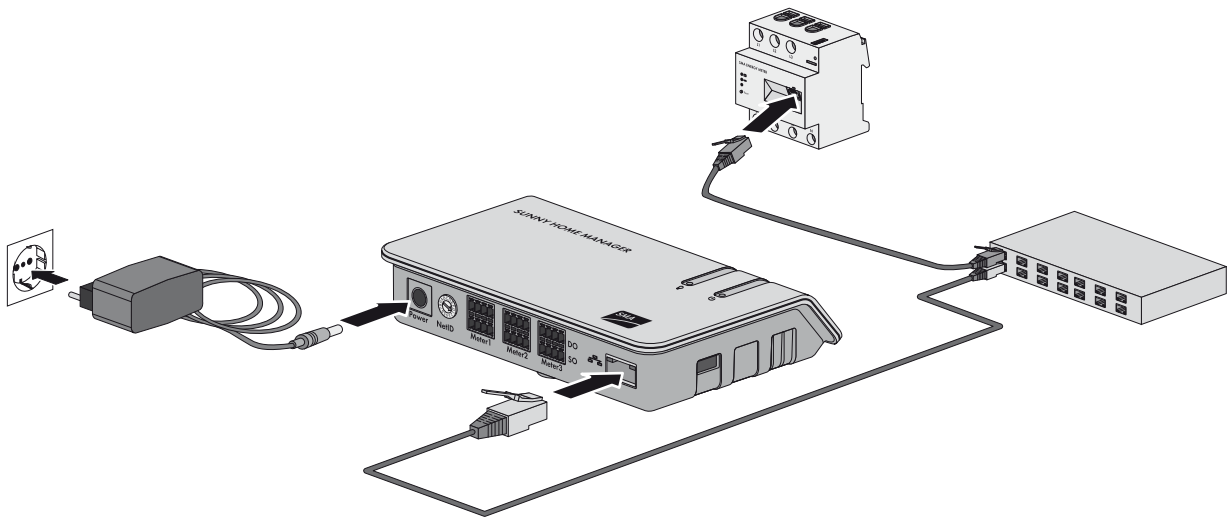


Figure 17: Connection of the Sunny Home Manager in systems with an SMA Energy Meter

Requirements:

- All Speedwire devices must be connected to the same router.
- The router and optionally the network switch must fully support Multicast.
- The router must support "Internet Enabled Devices" with the SIP and STUN interfaces.

Most common routers and network switches support Multicast and "Internet Enabled Devices."

7 Commissioning

7.1 Basic Configuration of the Sunny Island Inverter

NOTICE

Damage to the battery due to incorrect settings

The set battery parameters influence the charging behavior of the Sunny Island inverter. The battery can be damaged by incorrect settings for the battery type, nominal voltage and capacity parameters.

- Ensure that the values recommended by the manufacturer are set for the battery (refer to the technical data of the battery in the manufacturer documentation). Note that the battery charging behavior names used by SMA Solar Technology AG and the battery manufacturer may, in some cases, differ in meaning (for the battery charging behavior of the Sunny Island inverter, see technical information "Battery Management").
- Set the battery capacity for a ten-hour electric discharge (C10) The battery manufacturer specifies the battery capacity in relation to discharge time.

Requirements:

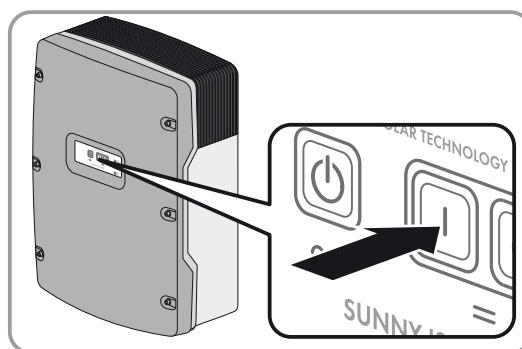
- With a three-phase system, the Sunny Remote Control must be connected to the master. The master is thus defined during basic configuration.
- In the automatic transfer switch, all circuit breakers must be open. This means that the Sunny Island is not connected to any PV inverter.

Procedure:

Check the wiring
(see the Sunny Island inverter installation manual).

Close all devices except the BatFuse.
This protects all live components from being touched.

Close the BatFuse and switch on all Sunny Island inverters:
In systems with one Sunny Island, press the "On" button.
For systems with three Sunny Island inverters, press and hold the "On" button on the master until an acoustic signal sounds.



↓

When the Sunny Remote Control shows **<Init System>**, press and hold the button on the Sunny Remote Control.

```

Boot          xxxxxx-xx
              <Init System>#
xx.xx.xxxx   xx!xx!xx
  
```

- An acoustic signal sounds three times and the Sunny Remote Control displays the quick configuration guide.

```

Select option
001#01  [■■■■■■■■■■]
          StartMenu
          Start System#
  
```

↓

Turn the button on the Sunny Remote Control and select **New System**.

```

Select option
001#01  [■■■■■■■■■■]
          StartMenu
          New System#
  
```

↓

Press the button. This confirms your selection of **New System**.

- An entry confirmation prompt appears.

```

Select option
001#01  <accept Y/N>
          StartMenu
          New System#
  
```

↓

Set **Y** and press the button.

↓

Set the date.

```

Setup new device
003#04   <Set>#
          Dt
02.01.2014 [d.m.y.]
  
```

↓

Set the time.

```

Setup new device
003#05   <Set>#
          Tm
06:24:24 [hhmmss]
  
```

↓

Set **OnGrid**.

```

Setup new device
003#06   <Set>#
          AppSel
          OnGrid
  
```

↓

Set the battery type.

```
Setup new device
003#07      <Set>#
           BatTyp
           LiIon_Ext-BMS
```

LiIon_Ext-BMS: Lithium-ion battery

VRLA: Lead-acid battery with electrolyte absorbed in glass mat or immobilized in gel

FLA: Lead-acid battery with liquid electrolyte

Set the battery capacity for ten-hour electric discharge (for determining the battery capacity, see the Sunny Island inverter installation manual).

```
Setup new device
003#10      <Set>#
           BatCapNom
           166 [Ah]
```

Set the nominal voltage of the battery.

```
Setup new device
003#08      <Set>#
           BatVtgLst
           48V
```

Set the battery capacity for ten-hour electric discharge (for determining the battery capacity, see the Sunny Island inverter installation manual).

```
Setup new device
003#10      <Set>#
           BatCapNom
           166 [Ah]
```

Also, during the first ten operating hours, set the country data set:

AR-N4105: configuration in accordance with application rule VDE-AR-N 4105

```
Setup new device
003#11      <Set>#
           Country
           VDE-AR-4105
```

Set increased self-consumption:

BackupOnly: system without increased self-consumption

SelfConsBackup: system with increased self-consumption

```
Setup new device
003#13      <Set>#
           SysFncSel
           BackupOnly
```

Set the number of Sunny Island inverters in the system:

```
Setup new device
003#14      <Set>#
           C1stType
           1Phs
```

1Phase: system with one Sunny Island

If the system optimizes self-consumption (**SelfConsBackup**), set the type of feed-in of the PV system (see Section 3.1, page 12).

```
Setup new system
003#15      <Set>#
           EZAType
           Asymmetric
```

Asymmetric: The installation site is located in Germany and at least one PV inverter feeds in asymmetrically on a single line conductor.

Symmetric: Either the installation site is located outside of Germany or all PV inverters feed in symmetrically on three line conductors.

Set the line conductor to which the Sunny Island is connected:

```
Setup new system
003#16      <Set>#
           MsPhSel
           L1
```

- L1:** connection to line conductor L1
- L2:** connection to line conductor L2
- L3:** connection to line conductor L3

Confirm the basic configuration with **Y**.

```
Setup new system
Done ? <accept Y/N>
```

If the system does not optimize self-consumption (**BackupOnly**), confirm the basic configuration with **Y**.

```
Setup new system
Done ? <accept Y/N>
```

Confirm the basic configuration with **Y**.

```
Setup new system
Done ? <accept Y/N>
```

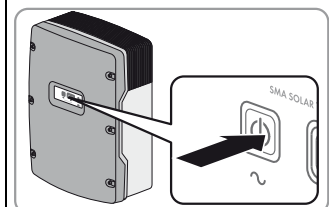
3Phase: system with three Sunny Island inverters

Confirm the basic configuration with **Y**.

```
Setup new system
Done ? <accept Y/N>
```

Wait until the upper LED (inverter LED) on slave 1 is flashing and the Sunny Remote Control is displaying **To identify Slave1, press Tss on the Slv.**

Press the start-stop button on slave 1.



Wait until the upper LED (inverter LED) on slave 2 is flashing and the Sunny Remote Control is displaying **To identify Slave2, press Tss on the Slv.**

↓

The basic configuration is complete.

If an SD memory card is inserted in the Sunny Remote Control, the message
Do not remove MMC/SD memory card ... appears.

↓

Close circuit breaker **F1** and residual-current device **F2** in the distribution board, and leave the Sunny Island switched on, but do not start it.

7.2 Testing the Automatic Transfer Switch Function

⚠ WARNING

Danger to life from electric shock due to live voltage

During the test, high voltages are present in the automatic transfer switch. Touching live components can result in death or serious injury.

- Ensure that you do not touch any live components while measuring and testing.
- Disconnect the automatic transfer switch from voltage sources while you are eliminating any faults.

The sequence of the test applies to all types of automatic transfer switches and is independent of the automatic transfer switch installed. Ignore tests for non-existent devices.

Requirements:

- In the automatic transfer switch, all circuit breakers, **F1** and **F3** to **F6**, must be open.
- The residual-current devices **F2** and **F7** must be closed.
- All Sunny Island inverters must be switched on but not operational.
- PV system and all loads at connection **X2** must be disconnected from voltage sources.

Procedure:

1. Open the automatic transfer switch and ensure that there is voltage present and a right-hand rotating magnetic field at connection **X1**.
2. Measure whether the individual terminals are voltage-free:

Test point	Task
Connection X2	If AC voltage is present, correctly wire contactors Q1 and Q2 .
Connection X3	If AC voltage is present, stop the Sunny Island.
Connection X4	If AC voltage is present, correctly wire circuit breaker F1 .
Connection X5 , terminals L1 , N , 1 and 2	If AC voltage is present, stop the Sunny Island.
Connection X5 , terminals 3 and 4	If DC voltage is present, correctly wire contactor or auxiliary contact Q2 .

3. Check whether the grounding device is correctly wired:

Test point	Task
Contactors Q3 and Q4	Ensure that the wiring is correct.
Connection X2 , terminals N and PE	Ensure that no voltage is present between the terminals and that conductivity can be measured.

4. Close circuit breaker **F1** and check the following:

Test point	Task
Contactors Q1 , Q2 and Q3 Connection X2	Check whether the contactors activate and whether there is voltage present and a right-hand rotating magnetic field at connection X2 . If the contactors do not activate or no voltage is present at connection X2 , ensure the following: <ul style="list-style-type: none"> • At the master, ensure that the control cable is correctly connected to connections Relay1 C and Relay1 NC. • Ensure that, in the automatic transfer switch, contactors Q1, Q2 and Q3 are correctly wired.

5. Close circuit breaker **F6**.

Voltages are present at connection **X3**.

6. Check whether the residual-current devices trip correctly and are correctly wired:

Test point	Task
Residual-current device F7	Press the test button and measure whether there is voltage present at connection X3 . If voltage is present, correctly wire residual-current device F7 . Switch on residual-current device F7 again.
Residual-current device F2	Press the test button and check if contactors Q1 , Q2 and Q3 go into non-operative mode. If the contactors do not deactivate, wire the residual-current device F2 correctly. Switch on residual-current device F2 again.

7. Start the Sunny Island. Press and hold the button on the Sunny Remote Control until you hear an acoustic signal.
8. Check whether error messages are displayed on the Sunny Remote Control.
 If the error message **F365 VAcExtPhsFail** is displayed, correctly connect connection **ExtVtg** on the Sunny Island.
9. Close circuit breaker **F5** and check whether contactors **Q4** and **Q6** remain in non-operative mode.
 If the contactors activate, correctly wire connections **Relay2 C** and **Relay2 NO** on the Sunny Island.
10. Simulate a grid failure. To do this, open circuit breaker **F1**. As a result, contactors **Q1**, **Q2** and **Q3** deactivate.
 If the error message **F367 ExtCtcNotOpen** is displayed, correctly connect connections **DigIn** and **BatVtgOut** to the Sunny Island.
11. Check whether contactors **Q4** and **Q6** activate approximately five seconds after circuit breaker **F1** is opened.
 If the contactors do not activate, correctly wire the control cables of the contactors and correctly connect connections **Relay2 C** and **Relay2 NO** to the master.
12. Check whether the grounding device switches correctly.
- Ensure that no voltage is present at connection **X2** between terminals **N** and **PE** and that conductivity can be measured.
 - Open circuit breaker **F5**.
 - Ensure that no voltage is present at connection **X2** between terminals **N** and **PE** and that conductivity can be measured.
 - Close circuit breaker **F5**.

13. Check whether the phase coupling switches correctly. To do this, close circuit breakers **F3** and **F4** and check the following:

Test point	Task
Connection X2	Measure if there is voltage present between the line conductors and the neutral conductor. If no voltage is present, correctly wire contactor Q6 .
	Ensure that no voltage is present between the line conductors.

14. Switch on circuit breaker **F1**.

- Contactors **Q4** and **Q6** deactivate within five minutes, and the tie switch then connects the battery-backup grid to the utility grid.

7.3 Adjusting the Configuration of the Sunny Island Inverter

7.3.1 Countries in Which the Configuration Must Be Adjusted

In the SMA Flexible Storage System, the Sunny Island inverters are connected to the utility grid and must meet the requirements of the grid operators. The Sunny Island inverters fulfill the requirements of application guide VDE-AR-N 4105:2011-08. In the Sunny Island, this application guide is defined as standard country data set **VDE-AR-4105**.

The configuration must be adjusted for the following countries (status: July 2014):

- Denmark (see Section 7.3.2, page 47)
- Austria (see Section 7.3.3, page 48)
- Switzerland (see Section 7.3.4, page 48)

The configuration may only be adjusted on request or with permission of the grid operator in the following countries (status: July 2014):

- Belgium
Country data set: VDE-AR-4105
- Germany
Country data set: VDE-AR-4105

Use in other countries is possible with the agreement of the grid operator. Consult the grid operator on whether adjustment is necessary.

7.3.2 Adjusting the Configuration for Denmark

When using the Sunny Island inverter 6.0H / 8.0H in Denmark, you must reduce the discharge/charging current (default setting: max. 20.0 A).

When using the Sunny Island inverter 3.0M / 4.4M in Denmark, you can retain the default setting of the discharge/charging current (default setting: max. 16.0 A).

Requirements:

- The extended configuration must be performed within the first ten operating hours of the Sunny Island inverter, otherwise an SMA Grid Guard code is required in order to change grid-relevant parameters (application form for the SMA Grid Guard code available at www.SMA-Solar.com).
- The country data set of the Sunny Island inverter must be set to **VDE-AR-4105** (see Section 7.1 "Basic Configuration of the Sunny Island Inverter", page 41).

Procedure:

1. Log in to the communication product as **Installer** (see the user manual of the communication product) or switch to expert mode on the Sunny Remote Control (see the Sunny Island operating manual).

2. Set parameter **Maximum AC battery charging current** or **210.03 InvChrgCurMax** to **16.0 A**.

7.3.3 Adjusting the Configuration for Austria

If your grid operator does not permit frequency-dependent control of active power feed-in in the case of overfrequency, you must switch off this function (see VDE-AR-N 4105 item 5.7.3.3).

If your grid operator specifies a maximum grid feed-in per line conductor, you must reduce the discharge/charging current (default setting in the Sunny Island is 20.0 A).

Requirements:

- The extended configuration must be performed within the first ten operating hours of the Sunny Island inverter, otherwise an SMA Grid Guard code is required in order to change grid-relevant parameters (application form for the SMA Grid Guard code available at www.SMA-Solar.com).
- The country data set of the Sunny Island inverter must be set to **VDE-AR-4105** (see Section 7.1 "Basic Configuration of the Sunny Island Inverter", page 41).

Procedure:

1. Log in to the communication product as **Installer** (see the user manual of the communication product) or switch to expert mode on the Sunny Remote Control (see the Sunny Island operating manual). If frequency-dependent control of active power feed-in is not permitted, set parameter **Operating mode of active power limitation in the case of overfrequency P(f)** or **232.41 P-WCtLHzMod** to **Off**.
2. If your grid operator specifies a maximum grid feed-in per line conductor, set parameter **Maximum AC battery charging current** or **210.03 InvChrgCurMax** to the value specified by the grid operator.

7.3.4 Adjusting the Configuration for Switzerland

The following limiting values must be adjusted in order to meet the requirements of the grid operators in Switzerland:

- Maximum power frequency
- The upper frequency difference for valid grid connection
- Minimum observation time for grid voltage and frequency before grid connection

If your grid operator specifies a maximum grid feed-in per line conductor, you must reduce the discharge/charging current (default setting in the Sunny Island is 20.0 A).

In addition, the label enclosed in the delivery must be affixed to the device to indicate that the Sunny Island is set in accordance with DIN VDE 0126-1-1.

Requirements:

- The extended configuration must be performed within the first ten operating hours of the Sunny Island inverter, otherwise an SMA Grid Guard code is required in order to change grid-relevant parameters (application form for the SMA Grid Guard code available at www.SMA-Solar.com).
- The country data set of the Sunny Island inverter must be set to **VDE-AR-4105** (see Section 7.1 "Basic Configuration of the Sunny Island Inverter", page 41).
- The Sunny Remote Control must be connected to the Sunny Island inverter.

Procedure:

1. Switch to expert mode on the Sunny Remote Control (see the Sunny Island operating manual).
2. Set parameter **232.07 GdFrqMax** to **50.2 Hz**.
3. Set parameter **232.15 GdFrqMaxDel** to **0.05 Hz**.
4. Set parameter **232.08 GdVldTm** to **30 s**.
5. If your grid operator specifies a maximum grid feed-in per line conductor, set parameter **210.03 InvChrgCurMax** to the value specified by the grid operator.
6. Attach the label "VDE 0126-1-1" next to the type label of the Sunny Island inverter.

7.4 Adjusting the Configuration of the PV Inverters

Countries in which the configuration should be adjusted

In battery-backup systems, the active power of the PV inverters should be controllable depending on the frequency (see the planning guidelines "SMA Flexible Storage System with Battery Backup Function"). If your grid operator prohibits control of active power feed-in in the case of overfrequency, you can also use the PV inverters without changing the configuration. SMA Solar Technology AG recommends activating the frequency-dependent control of the PV inverters.

Country	Does the current country data set valid for the site include frequency-dependent control?
Belgium	Yes
Denmark	Yes
Germany	Yes
Austria	No
Switzerland	No

Activating frequency-dependent control of active power

Requirements:

- The PV inverters are part of a battery-backup system and the automatic transfer switch can disconnect the PV inverters from the utility grid.
- Adjustment must be coordinated with the grid operator.
- You must be authorized to change Grid Guard parameters. You can find the application form at www.SMA-Solar.com in the download area of the relevant PV inverter.
- The firmware version of the PV inverters must support the frequency-dependent control of active power (for "PV inverters," see the planning guidelines "SMA Flexible Storage System with Battery Backup Function" at www.SMA-Solar.com).

Procedure:

1. With existing PV systems, make sure that the firmware of the installed PV inverters supports frequency-dependent active power control (see the planning guidelines "SMA Flexible Storage System with Battery Backup Function" at www.SMA-Solar.com).
2. Set the following parameters of the PV inverters to the specified value (see the documentation of the communication product).

Parameters	Values for the application guide VDE-AR-N 4105:2011-08**
P-WCfHzMod Operating mode of active power limitation in the case of overfrequency P(f)*	On or WCfHz
P-WGra Active power gradient, linear instantaneous power gradient configuration*	40
P-HzStr Difference between starting frequency and power frequency, linear instantaneous power gradient configuration*	0.2

Parameters	Values for the application guide VDE-AR-N 4105:2011-08**
P-HzStop Difference between reset frequency and power frequency, linear instantaneous power gradient configuration*	0.2
P-HzStopWGra Active power gradient after reset frequency, linear instantaneous power gradient configuration*	10

* Menu **Equipment & device control system**

** The adjustments are based on the requirements for PV inverters in Austria and Swiss.

7.5 Attaching the Labels

The warning label for battery-backup systems is included in the scope of delivery of the Sunny Island inverter.

- Attach the warning label "Battery-Backup System" to the AC main distributor from the outside.

7.6 Activating Phase Coupling in Single-Phase Battery-Backup Systems

With phase coupling it is possible, in the event of utility grid failure, to supply loads that are not connected to the line conductor of the Sunny Island inverter (see Section 3.5.4 "Phase Coupling for Single-Phase Battery-Backup Systems", page 20). As soon as the utility grid returns, the contactor disconnects the coupled line conductors again. The switchover times for the loads to the coupled line conductors are longer than to the line conductor of the Sunny Island. The switchover times are a matter of seconds.

Disconnection of the Sunny Island inverter as a result of overload:

The Sunny Island switches itself off when overloaded. Only activate phase coupling for line conductors whose loads do not exceed the maximum AC power of the Sunny Island inverter (for technical data, see the Sunny Island inverter installation manual).

NOTICE

Damage to three-phase loads during phase coupling

If three-phase loads are connected to a single-phase utility grid with phase coupling, SMA Solar Technology AG cannot rule out damage to the three-phase loads.

- Ensure that, during phase coupling, only single-phase loads are connected to the battery-backup grid.

Procedure:

- In the automatic transfer switch, switch on circuit breaker **F3** or **F4** or both.

7.7 Commissioning a System With Increased Self-Consumption

7.7.1 Preparing BLUETOOTH Communication

To allow SMA BLUETOOTH devices in the battery-backup system to communicate with each other, all devices must be set to the same NetID. The NetID is used to distinguish between systems with SMA BLUETOOTH operating in close proximity to one another.

Procedure:

1. For PV inverters with an integrated BLUETOOTH interface that communicate via Speedwire, set NetID **0** (see PV inverter installation manual). This deactivates communication via BLUETOOTH.
2. Determine the NetID of the BLUETOOTH system.

- Install Sunny Explorer on a computer. Either run the installation file on the CD provided or download free of charge at www.SMA-Solar.com.
 - Determine a free NetID for the BLUETOOTH system using Sunny Explorer (see Sunny Explorer user manual).
 - Quit Sunny Explorer. This will ensure that the BLUETOOTH network is set up via the Sunny Home Manager.
3. Set the determined NetID on the Sunny Home Manager and on all devices with an active BLUETOOTH interface (see documentation of the BLUETOOTH devices). Note that the NetID must not be set to **1** if the Sunny Home Manager is intended to communicate with more than one BLUETOOTH node.

7.7.2 Commissioning a System with Increased Self-Consumption

i Deactivation of the intermediate storage of PV energy during certain charging procedures

To increase the service life of the battery, the system regularly carries out full charges and equalization charges (see technical information "Battery Management" at www.SMA-Solar.com). During this charging process, the intermediate storage of PV energy is deactivated and electricity may have to be purchased to perform the full and equalization charges.

Required data for registration in Sunny Portal:

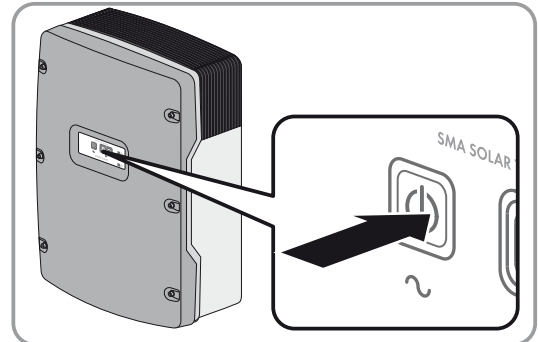
Device / customer data	Required data and explanation
Sunny Home Manager	<ul style="list-style-type: none"> • Serial number (PIC) and registration ID (RID) Register the new system in Sunny Portal using the PIC and RID.
SMA Energy Meter	<ul style="list-style-type: none"> • Only when two SMA Energy Meters are installed, note down the serial number and purpose (e.g., PV production meter) in each case. This way you can identify the energy meters in the Sunny Portal.
PV inverters	<ul style="list-style-type: none"> • System password The PV system password is the same as the device password for the user group "Installer." All devices in a PV system must be set to the same password (for user groups and security concept, see the Sunny Explorer user manual). The default password is 1111. • Serial number of the PV inverters You can uniquely identify the PV inverters in Sunny Portal using the serial number. • PV array power in kWp
SMA radio-controlled socket	<ul style="list-style-type: none"> • The serial number and connected load of each SMA radio-controlled socket In Sunny Portal, configure the SMA radio-controlled socket in accordance with the requirements of the connected load. To do so, you require the serial number of the SMA radio-controlled socket.
Customer data	<ul style="list-style-type: none"> • E-mail address • Password for Sunny Portal access • Address of the PV system • Electricity tariff data <ul style="list-style-type: none"> - Electricity price for purchased electricity - Tariff times, if applicable (e.g. for tariffs with peak and off-peak tariff) - Feed-in tariff - Self-consumption tariff, if applicable

Requirements:

- The basic configuration of the Sunny Island inverter must have been performed (see Section 7.1, page 41).
- The functionality of the automatic transfer switch must be checked (see Section 7.2, page 45).
- The Sunny Home Manager, the Sunny Island and all other Speedwire devices must be connected to the same router.
- DHCP must be enabled for the router of the system.
- The router of the system must have an Internet connection.

Procedure:

1. In the distribution board, switch on circuit breaker **F1** and residual-current device **F2**.
2. Commission the PV system (see PV inverter documentation).
3. Press the start-stop button on the Sunny Island and hold it until an acoustic signal sounds. This starts the system.



4. Only when two SMA Energy Meters are installed in the local network, assign the grid feed-in meter and purchased electricity meter to the Sunny Island using Sunny Explorer. To do this, enter the serial number of the grid feed-in meter and purchased electricity meter (see the Sunny Explorer user manual).
5. Open Sunny Portal via www.SunnyPortal.com/Register and run the PV System Setup Assistant. The required data for registration in Sunny Portal must be at hand.

i **Representation of the Sunny Island inverters in Sunny Portal**

In Sunny Portal, the Sunny Island inverters are always displayed as one device, even if the system consists of three Sunny Island inverters. If there are three Sunny Island inverters, the data is added together.

6. Activate the automatic update of the Sunny Home Manager and the PV system in Sunny Portal.
7. Only in systems with active power limitation, ensure that the limitation of the active power feed-in is configured and functioning in Sunny Portal ("Configuring Active Power Feed-In Limitation," see the User Manual "Sunny Home Manager in Sunny Portal" at www.SunnyPortal.com).

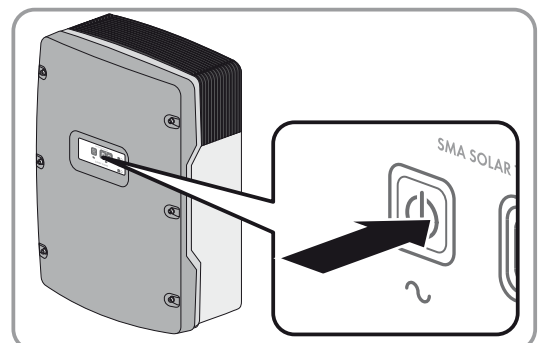
7.8 Commissioning a System without Increased Self-Consumption

Requirement:

- The functionality of the automatic transfer switch must be checked (see Section 7.2, page 45).

Procedure:

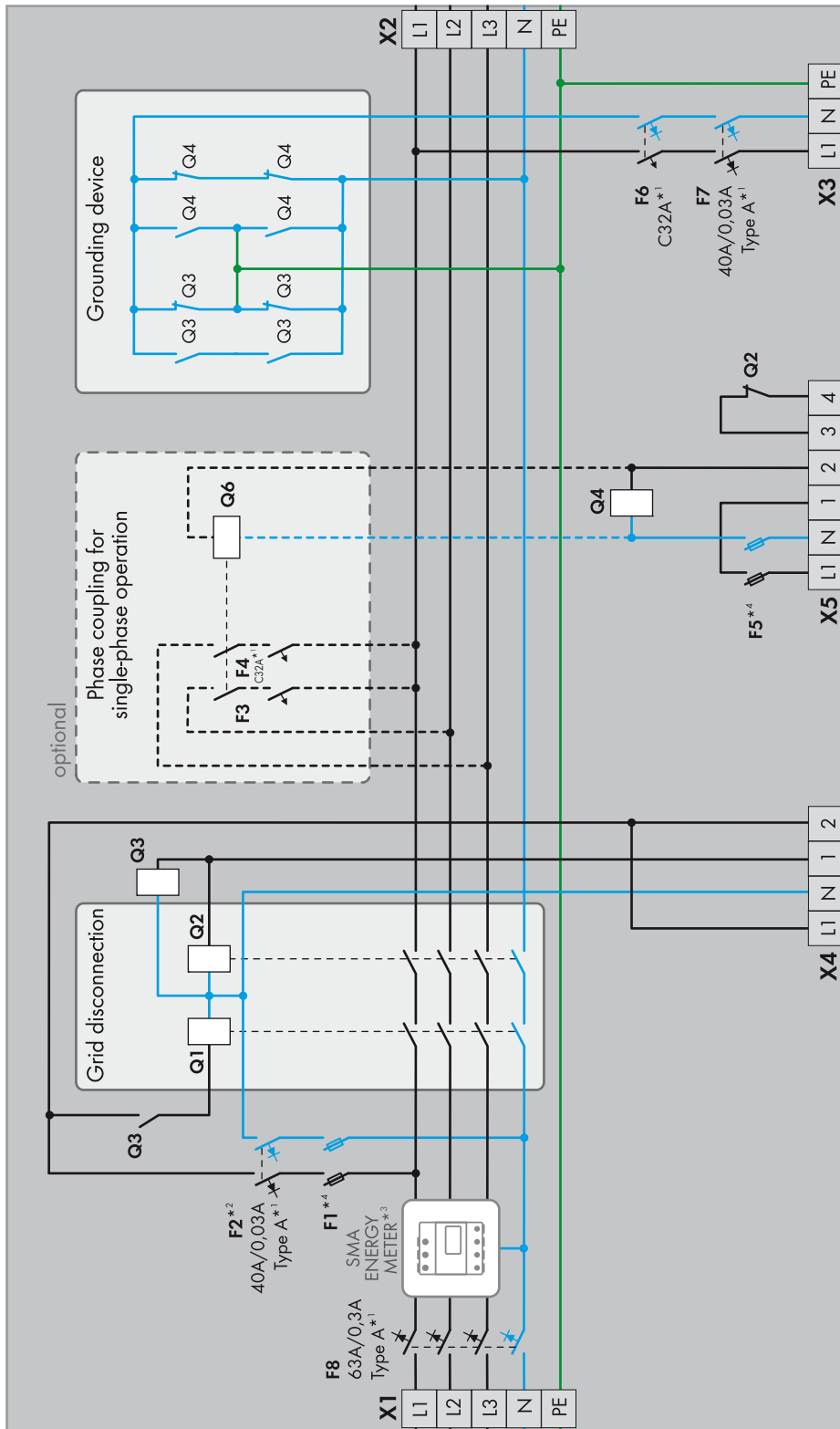
- Commission the PV system (see PV inverter documentation).
- To start the system, press and hold the start-stop button on the Sunny Island until an acoustic signal sounds.



8 Appendix

8.1 Single-Phase Battery-Backup System in Belgium

8.1.1 Schematic Diagram of the Automatic Transfer Switch



*¹ The indicated values are recommended by SMA Solar Technology AG. The electrical devices must be designed in accordance with the locally applicable standards and directives.

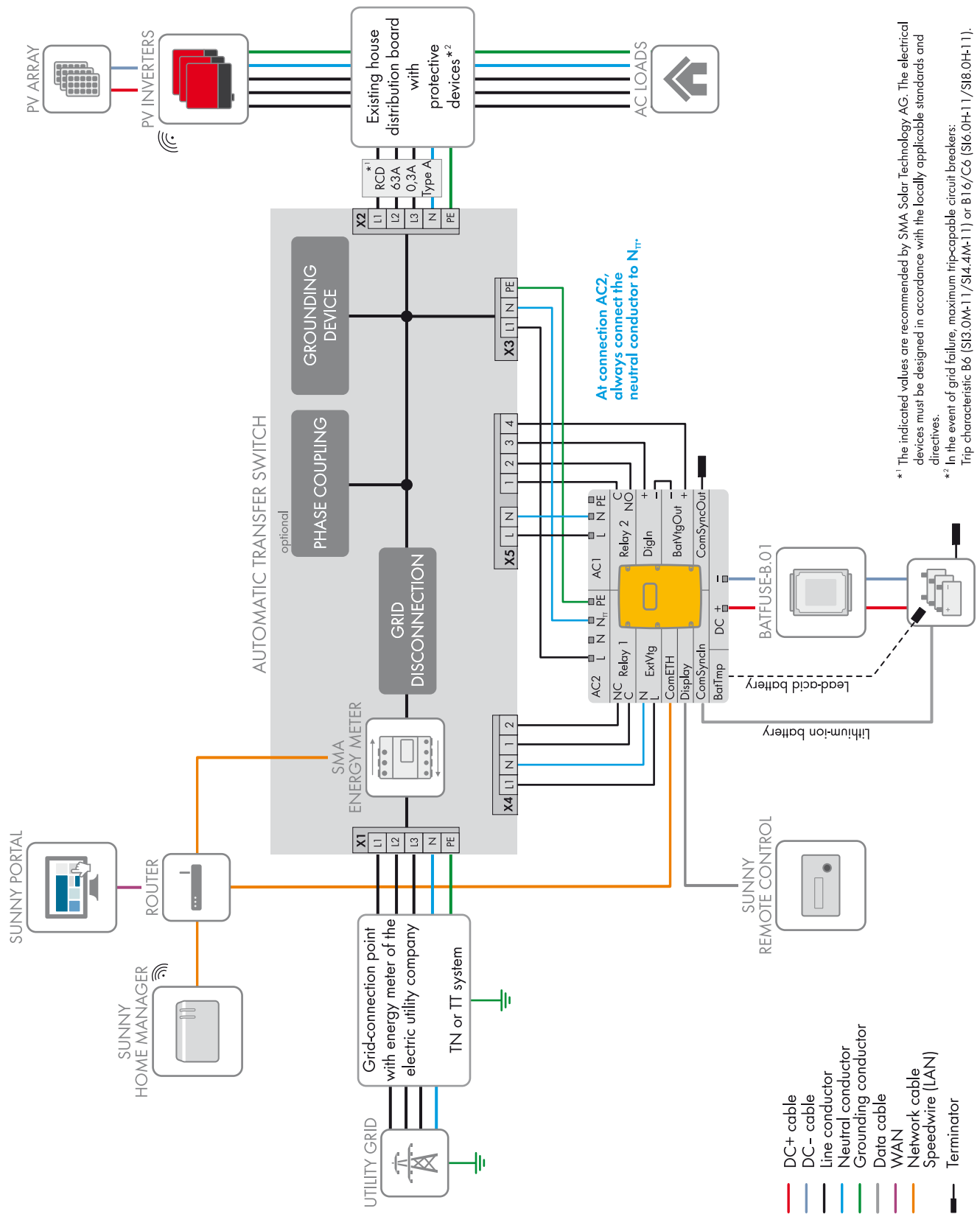
*² Only applicable for TT grid configuration.

*³ Not required for systems without increased self-consumption.

*⁴ Requirements for thermal fuse used: 1A, nominal cold resistance of at least 0.2 Ω and melting integral max. 1A²s.

Figure 18: Schematic diagram of the single-phase automatic transfer switch with all-pole disconnection

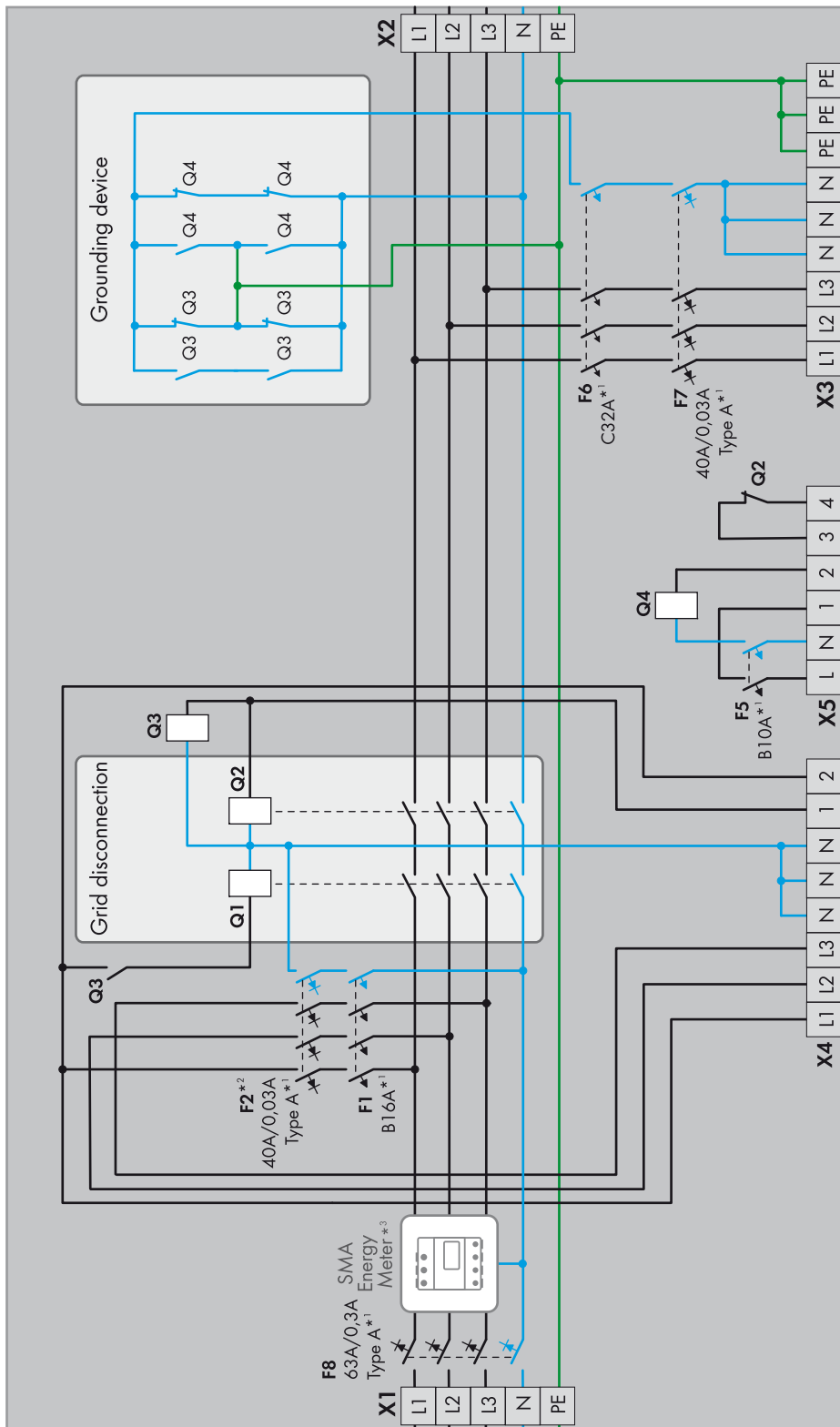
8.1.2 Circuitry Overview



*1 The indicated values are recommended by SMA Solar Technology AG. The electrical devices must be designed in accordance with the locally applicable standards and directives.
 *2 In the event of grid failure, maximum trip-capable circuit breakers: Trip characteristic B6 (S13.0M-11/S14.4M-11) or B16/C6 (S16.0H-11/S18.0H-11).

8.2 Three-Phase Battery-Backup System in Belgium

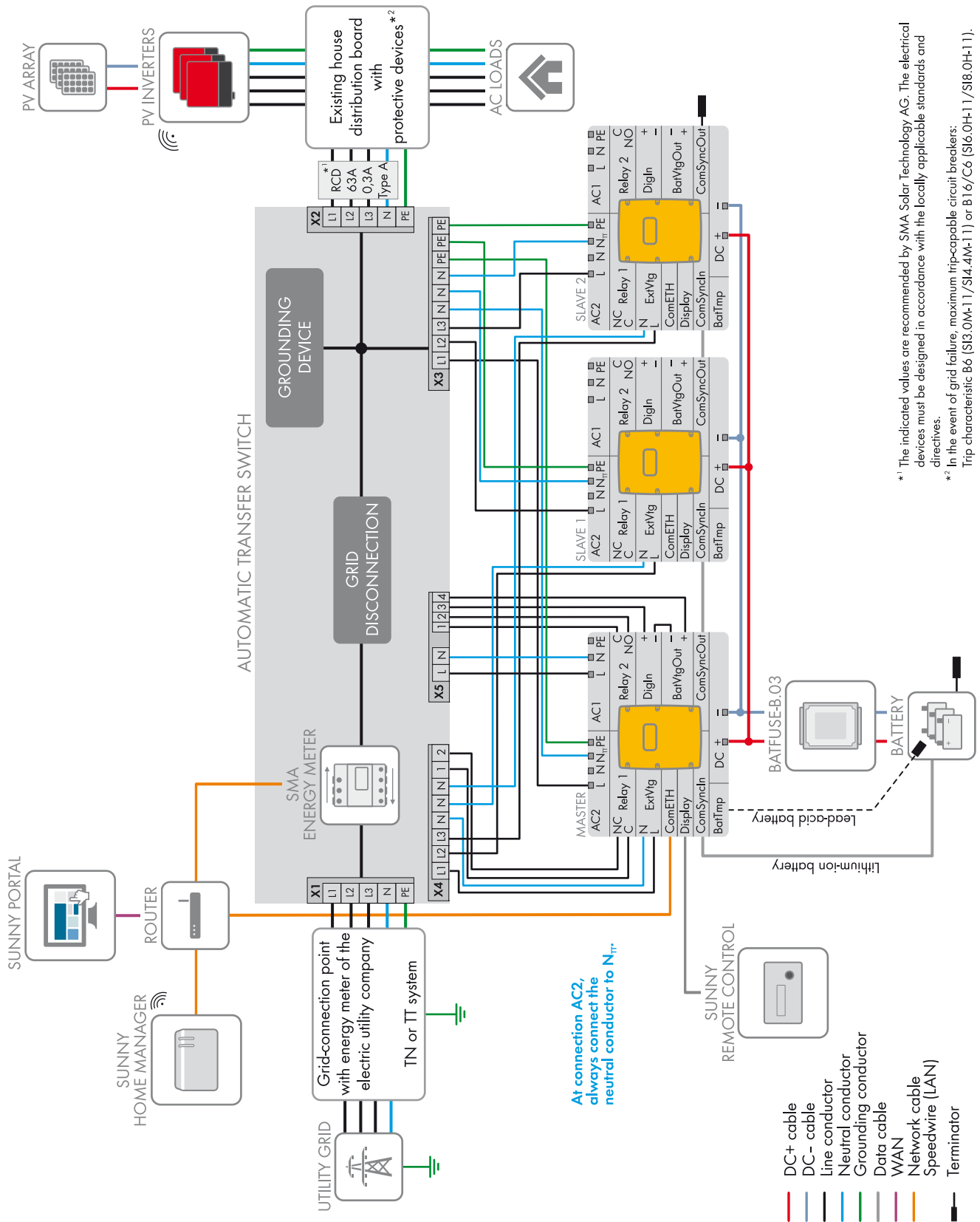
8.2.1 Schematic Diagram of the Automatic Transfer Switch



* The indicated values are recommended by SMA Solar Technology AG. The electrical devices must be designed in accordance with the locally applicable standards and directives.
 *² Only applicable for TT grid configuration.
 *³ Not required for systems without increased self-consumption.

Figure 20: Schematic diagram of the three-phase automatic transfer switch with all-pole disconnection

8.2.2 Circuitry Overview



*1 The indicated values are recommended by SMA Solar Technology AG. The electrical devices must be designed in accordance with the locally applicable standards and directives.
 *2 In the event of grid failure, maximum trip-capable circuit breakers: Trip characteristic B6 (S13.0M-11/S14.4M-11) or B16/C6 (S16.0H-11/S18.0H-11).

Figure 21: Connection of the automatic transfer switch with all-pole disconnection for Belgium (see Section 4.2.3 "Connecting the Master", page 27) and (see Section 4.2.4 "Connecting the Slaves", page 29)

9 Contact

If you have technical problems with our products, please contact the SMA Service Line. We need the following information in order to provide you with the necessary assistance:

- Sunny Island inverter type
- Sunny Island inverter serial number
- Sunny Island inverter firmware version
- Displayed error message
- Type of battery connected
- Nominal battery capacity
- Nominal battery voltage
- Type of the communication products connected
- Type and size of additional energy sources

Danmark	SMA Solar Technology AG	Belgien	SMA Benelux BVBA/SPRL
Deutschland	Niestetal	Belgique	Mechelen
Österreich	SMA Online Service Center: www.SMA-Service.com	België	+32 15 286 730
Schweiz	Sunny Boy, Sunny Mini Central, Sunny Tripower: +49 561 9522-1499	Luxemburg	
	Monitoring Systems (Kommunikationsprodukte): +49 561 9522-2499	Luxembourg	
	Fuel Save Controller (PV-Diesel Hybridsysteme): +49 561 9522-3199	Nederland	
	Sunny Island, Sunny Backup, Hydro Boy: +49 561 9522-399	Česko	SMA Service Partner TERMS a.s.
	Sunny Central: +49 561 9522-299	Magyarország	+420 387 6 85 111
		Slovensko	
		Polska	SMA Polska
			+48 12 283 06 66
		Ελλάδα	SMA Hellas AE
		Κύπρος	Αθήνα
			+30 210 9856666
España	SMA Ibérica Tecnología Solar, S.L.U.	France	SMA France S.A.S.
Portugal	Barcelona		Lyon
	+34 935 63 50 99		+33 472 22 97 00
Bulgaria	SMA Italia S.r.l.	United Kingdom	SMA Solar UK Ltd.
Italia	Milano		Milton Keynes
România	+39 02 8934-7299		+44 1908 304899
United Arab Emirates	SMA Middle East LLC	India	SMA Solar India Pvt. Ltd.
	Abu Dhabi		Mumbai
	+971 2234 6177		+91 22 61713888
대한민국	SMA Technology Korea Co., Ltd.	ไทย	SMA Solar (Thailand) Co., Ltd.
	서울		กรุงเทพฯ
	+82-2-520-2666		+66 2 670 6999

South Africa	SMA Solar Technology South Africa Pty Ltd. Cape Town 08600SUNNY (08600 78669) International: +27 (0)21 826 0600	Argentina Brasil Chile Perú	SMA South America SPA Santiago +562 2820 2101
Australia	SMA Australia Pty Ltd. Sydney Toll free for Australia: 1800 SMA AUS (1800 762 287) International: +61 2 9491 4200	Other countries	International SMA Service Line Niestetal 00800 SMA SERVICE (+800 762 7378423)

SMA Solar Technology

www.SMA-Solar.com

