

## Steca Solarix

### 2525, 4040

Solar charge controllers Steca Solarix 2525 and 4040 are newly developed products based on the internationally renowned controller family Steca PR. With increased module and load current, the controllers are now also suitable for even larger systems. The devices also feature an integrated USB charging port for charging smartphones and tablets. Use of the latest charging technologies combined with state of charge determination enable optimal battery maintenance and module power monitoring. A large display informs the user about all operating modes with the aid of symbols. The state of charge is represented visually as a level meter. Data such as voltage, current and state of charge can also be displayed digitally as figures on the display. In addition, the controller has an energy meter which can be reset by the user.

#### Product features

- Shunt topology with MOSFETs
- State of charge determination with Steca AtonIC (SOC)
- Automatic detection of voltage
- PWM control
- Multistage charging technology
- Load disconnection depending on SOC
- Automatic load reconnection
- Temperature compensation
- Negative earthing of one or positive earthing of several terminals possible
- Integrated data logger (energy meter)
- Evening, night light and daylight functions
- Integrated self test
- Monthly equalisation charge
- USB charge socket for smartphones and tablets

#### Electronic protection functions

- Overcharge protection
- Deep discharge protection
- Reverse polarity protection of module, load and battery
- Automatic electronic fuse
- Short circuit protection of load and module
- Overvoltage protection at module input
- Open circuit protection without battery
- Reverse current protection at night
- Overtemperature and overload protection
- Load disconnection on battery overvoltage

#### Displays

- Graphical LCD display
- for operating parameters, fault messages, self test

#### Operation

- Simple menu-driven operation
- Programming by buttons
- Manual load switch

#### Options

- Alarm contact

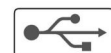
#### Certificates

- Compliant with European Standards (CE)
- RoHS compliant
- Made in EU
- Developed in Germany
- Manufactured according to ISO 9001 and ISO 14001

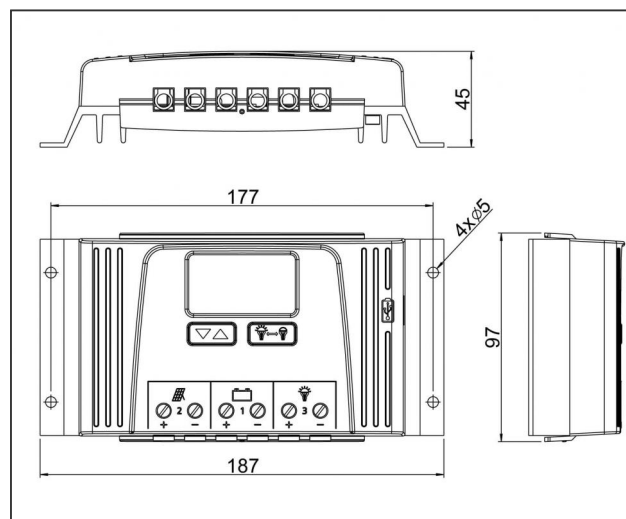
#### Accessories

- External temperature sensor Steca PA TS10

### CLASSIC



**STECA**  
Quality



	2525	4040
<b>Characterisation of the operating performance</b>		
System voltage	12 V (24 V)	
Own consumption	18,5 mA	
<b>DC input side</b>		
Open circuit voltage solar module (at minimum operating temperature)	< 47 V	
Module current	25 A	40 A
<b>DC output side</b>		
Load current	25 A	40 A
USB charge socket	5.2 V / 1.5 A	
Reconnection voltage (SOC / LVR)	> 50 % / 12.6 V (25.2 V)	
Deep discharge protection < 30 % (SOC / LVD)	< 30 % / 11.1 V (22.2 V)	
<b>Battery side</b>		
End-of-charge voltage	13.9 V (27.8 V)	
Boost charge voltage	14.4 V (28.8 V)	
Equalisation charge	14.7 V (29.4 V)	
Set battery type	liquid (adjustable via menu)	
<b>Operating conditions</b>		
Ambient temperature	-10 °C ... +50 °C	
<b>Fitting and construction</b>		
Terminal (fine / single wire)	16 mm <sup>2</sup> / 25 mm <sup>2</sup> - AWG 6 / 4	
Degree of protection	IP 30	
Dimensions (X x Y x Z)	187 x 97 x 45 mm	
Weight	350 g	

- Technical data at 25 °C / 77 °F
- Inverters must not be connected to the load output.

